

Crazy Tower Arcade

Standard Version: CZT-36-1001

Mega Crazy Tower: MCZT-48-1001

Low Height Version: CZT-36-1003



ADRENALINE
aagames.com

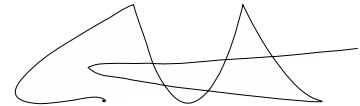
Operation & Service Manual

Version 7.1

*** Read this manual before use**

General Remark

If you encounter any difficulties or if you need support on how to update and/ or install your Crazy Tower Arcade product, we invite you to contact your local distributor or reach us at support@aagames.com or by calling our support line +1-450-824-1671



Adrenaline Amusements Team

Adrenaline Amusements
2273 Antonio-Hérroux street
Terrebonne, QC
Canada
J6X 4R3

Table of Contents

Contents

General Remark	2
Table of Contents	3
Chapter 01 - Preface	5
Precaution for Game Operation.....	5
Safety.....	6
Environmental Conditions.....	6
Chapter 02 - Game Features	7
Chapter 03 – Unit Features	8
Hardware Features.....	8
Cabinet Facts: Standard version (36’’)	8
Cabinet Facts: Mega Crazy Tower (48’’).....	9
Cabinet Facts: Low Height Version.....	10
Voltage (All versions).....	10
Chapter 04 – Unit Installation	11
Assembling your Crazy Tower Unit	11
Chapter 05 – Operator Menu	15
Operator Menu	15
Station Reassignment.....	17
Chapter 06 - Service & Repair	18
Computer Connections Version GTX 1050 video card	18
Version GTX 1060 video card	19
Troubleshooting	20
Video Troubleshooting.....	20
Audio Troubleshooting	23
Wireless Internet Configuration.....	24

Operator Settings keeps resetting back to default values after powering off the breakers....	25
Headers & Projectors	26
Chapter 07 - Parts	27
Cabinet Parts	27
Cabinet Doors.....	28
Pyramid & Misc. Parts	29
Computer & Electronics	30
Wood Parts.....	31
Cabinet	31
Tray	31
Decal Prints & Header	32
Standard Version (36'')	32
Mega Crazy Tower (48'')	32
Low height Version	32
Cabling.....	33
Standard (36'') and Low Height Versions	33
Mega Crazy Tower (48'')	33
Wiring Harness	34
Chapter 08 – Diagrams & Schematics	35
I/O board ADR-04-1001 Rev. 1	35
Former I/O Board: ADR-04-1001	37
Power Distribution Schematics	41
Players Wiring.....	42
Coins & Ticket Wiring	44
RGB LED Wiring	46
Chapter 09 – Software Recovery	47
Chapter 10 – Card Reader	48
Embed System.....	49
Limited Warranty Policies	51

Chapter 01 - Preface

Please read this page before preparing your CrazyTower Arcade product for game play.

The following safety instructions apply to all game operators and service personnel. Specific warnings and cautions will be included throughout this manual.

Use the following safety guidelines to help protect the system from potential damage and to ensure your personal safety:

- Electronic components in the game cabinet run on 110V AC 60Hz (220V/ 50Hz in most of Europe, the Middle East and the Far East delivered units).
- To help prevent electric shock, plug the system into a properly grounded power source. These cables are equipped with 3-prong plugs to help ensure proper grounding. Do not use adapter plugs or remove the grounding prong from a cable. If you must use an extension cable, use a 3-wire cable with properly grounded plugs. We do recommend a 15A rated current or higher power cord.
- To help protect your system from sudden increases and decreases in electrical power, use a surge suppressor, line conditioner or Uninterruptible Power Supply (UPS).
- Be sure nothing rests on the system's cables and that the cables are not located where they can be stepped on or tripped over.
- Keep your system far away from radiators and other heat sources.
- Do not block cooling vents.

Precaution for Game Operation

Adrenaline Amusements Inc. assumes no liability for injuries incurred while playing our games.

Operators should be aware that certain health and physical conditions may make people susceptible to injury when playing video games.

Safety



To avoid electrical shock, unplug the cabinet before performing installation or service procedures.

If a power cord is damaged, it must be replaced by the equivalent power cord available from your distributor.



Adrenaline Amusement Inc. assumes no liability for any damages or injuries incurred while setting up or servicing the cabinet. Only qualified service personnel should perform installation or service procedures.

Environmental Conditions

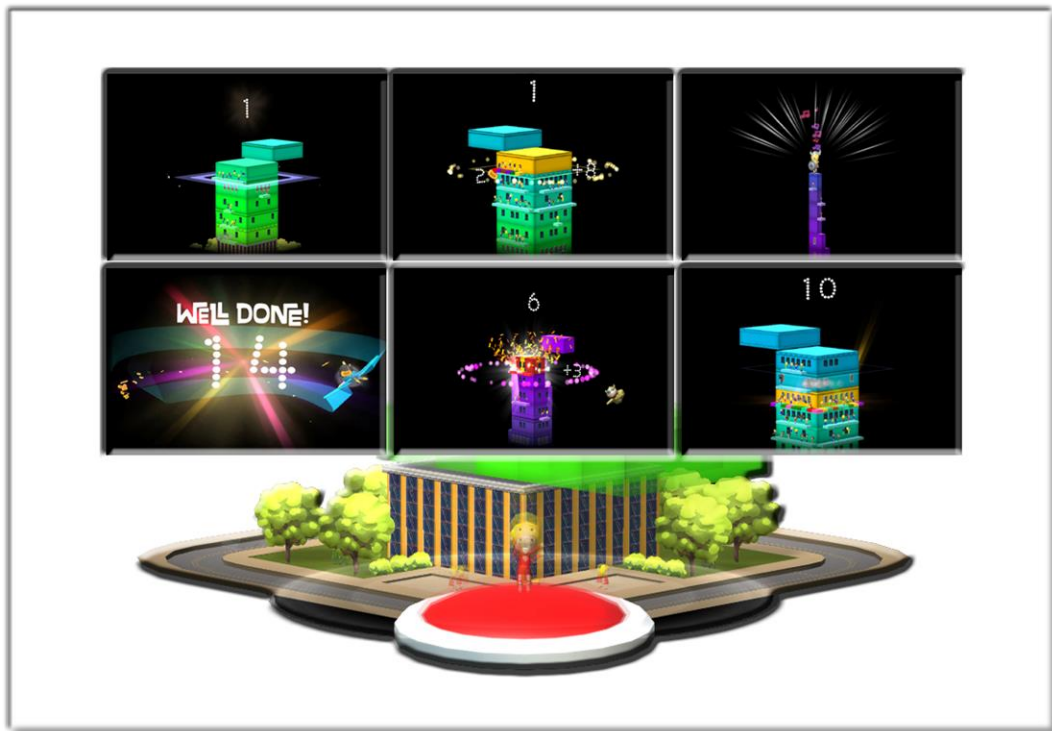
Cabinet is intended for indoor use only. Be sure to keep the cabinet dry and maintain operating temperatures of 59° - 86°F (15° - 30°C).

Chapter 02 - Game Features

Introducing the first holographic redemption game!
Playing an addictive game in a see-through 3D display.
Just out of this world!

How to Play

- Stack floors on top of each other to create the highest tower!
- Press a button to stack the current floor. Exceeding parts are chopped off. Missing completely the target put an end to the game.
- 100% Skill game.
- 4 players game play.

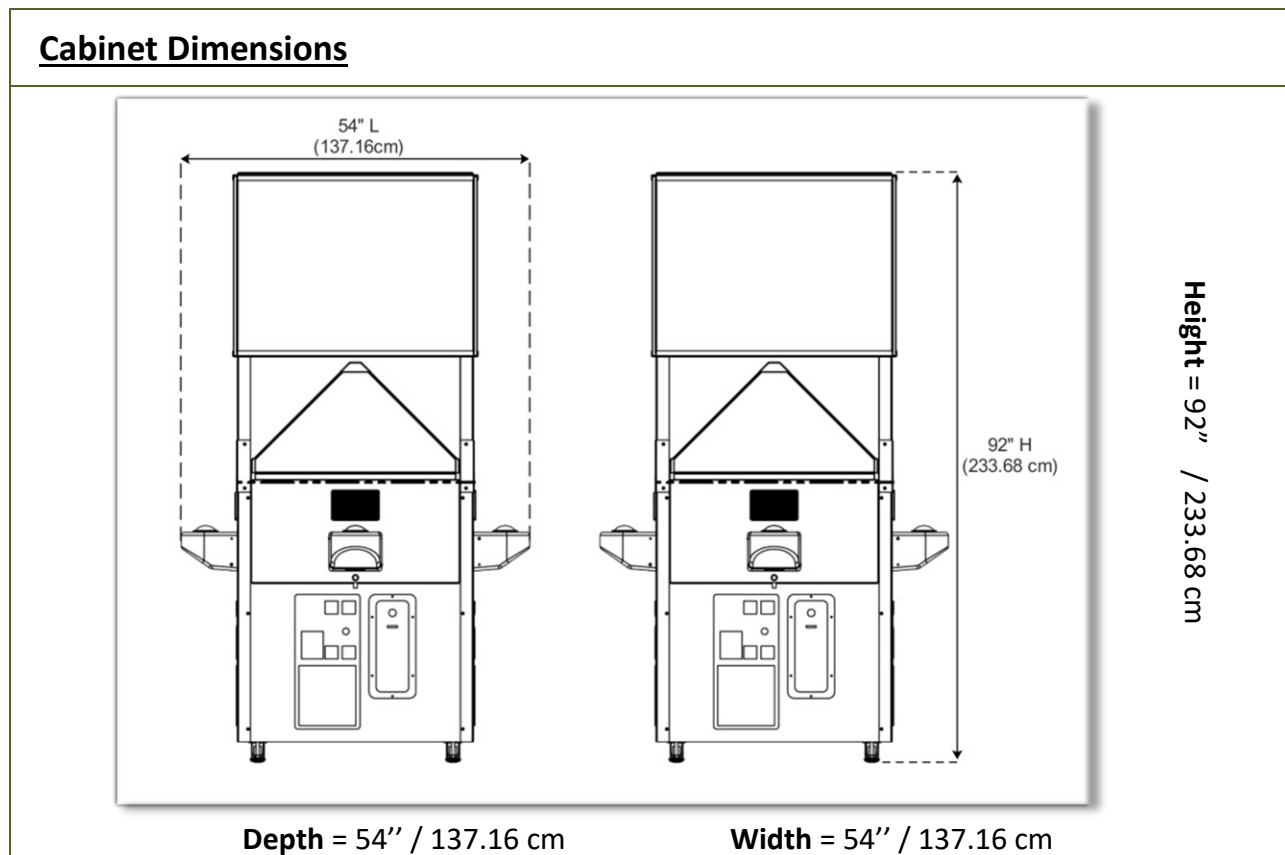


Chapter 03 – Unit Features

Hardware Features

- 4 Players Game
- Amazing hologram display with RGB LEDs animations.
- Optimized footprint; 4 players game in 20 sq²
- 100% Skill Game, challenge your friends!

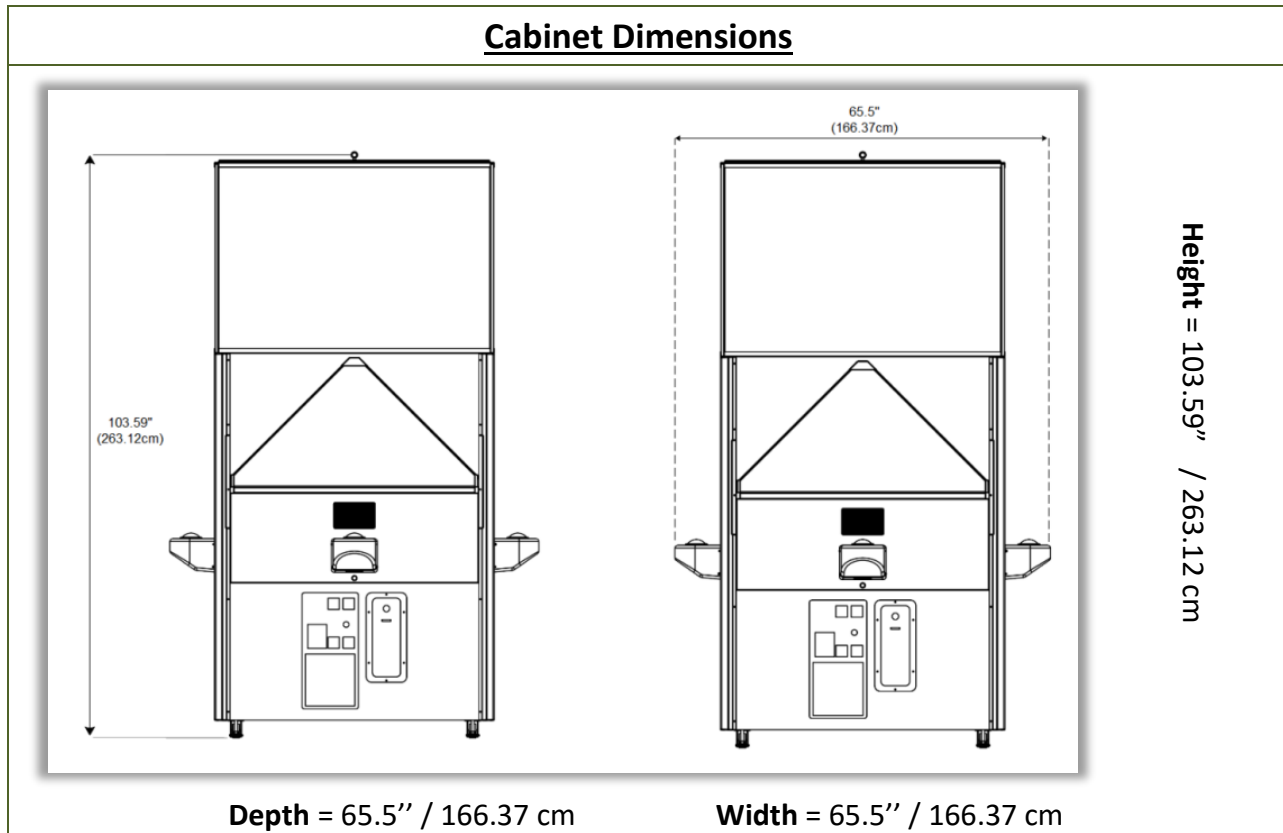
Cabinet Facts: Standard version (36")



Shipping Dimensions

Width = 42"	Depth = 42"	Height = 98"
	Weight = 450lbs	

Cabinet Facts: Mega Crazy Tower (48")



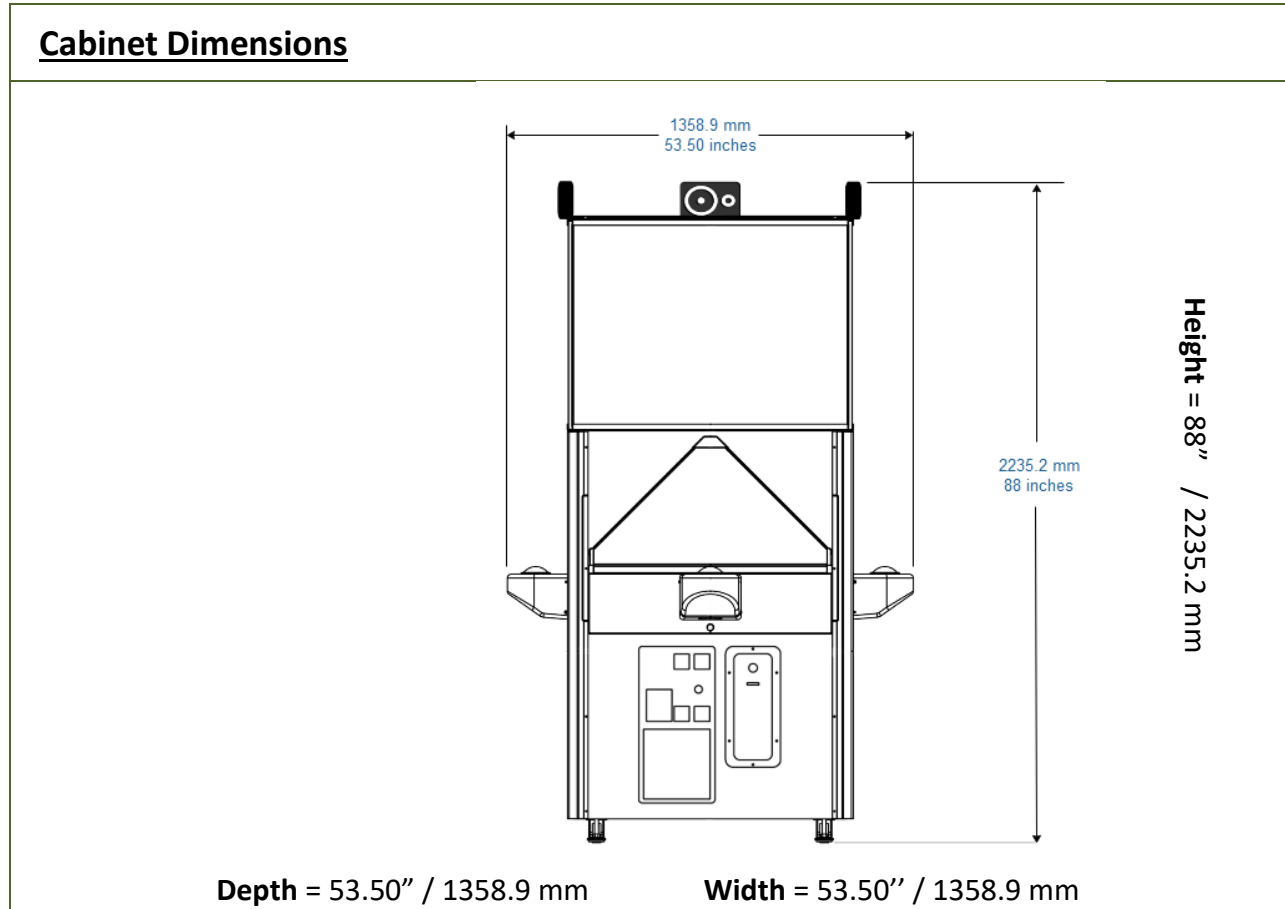
Shipping Dimensions

Width = 60"

Depth = 60"
Weight = 550lbs

Height = 87"

Cabinet Facts: Low Height Version



Shipping Dimensions

Width = 45"	Depth = 41"	Height = 98"
	Weight = 450lbs	

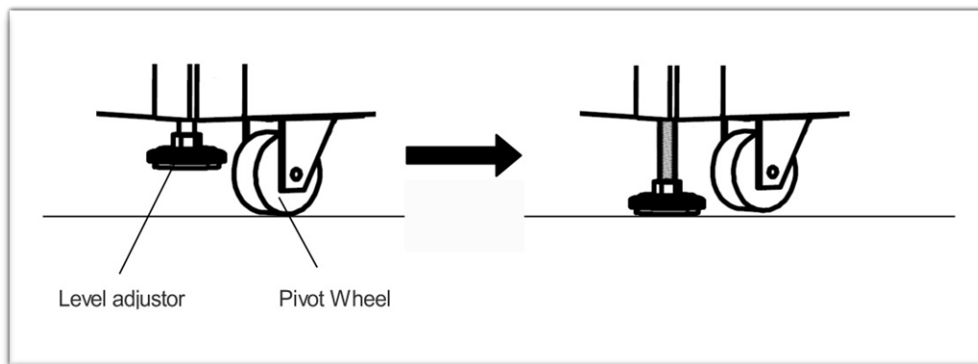
Voltage (All versions)

Voltage	Operating
110V AC	3 AMP
220V AC	1.5 AMP

Chapter 04 – Unit Installation

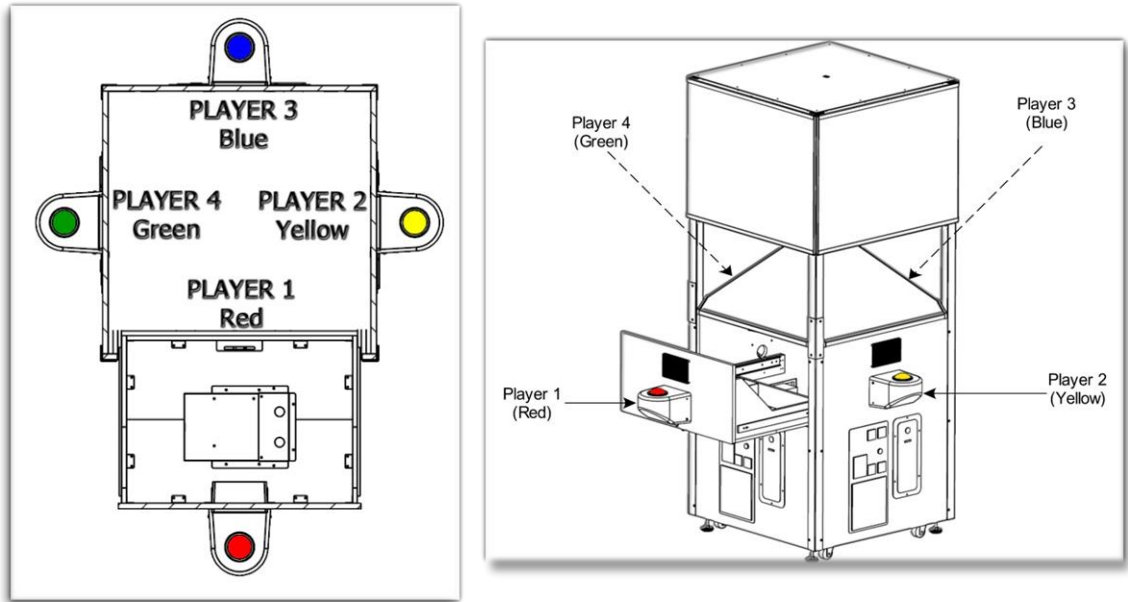
Assembling your Crazy Tower Unit

1. Carefully remove the Cabinet from the shipping container, giving you enough space.
2. Move the cabinet to the desired location.
3. Lower the four Level adjusters until the Pivot Wheels are slightly above the floor.



- Each side has his specific button color onscreen; here are the player references that are assigned.

This is very important for any troubleshooting steps (Ref.: Troubleshooting Chapter).



Player 1 is the Red player; it's on the drawer side.

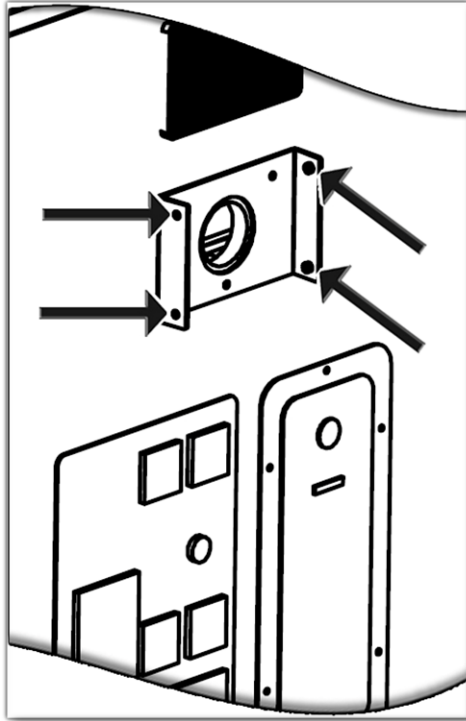
Player 2 is the Yellow player; it's on the right side when you are facing the drawer.

Player 3 is the Blue player; it's the opposite side of the drawer.

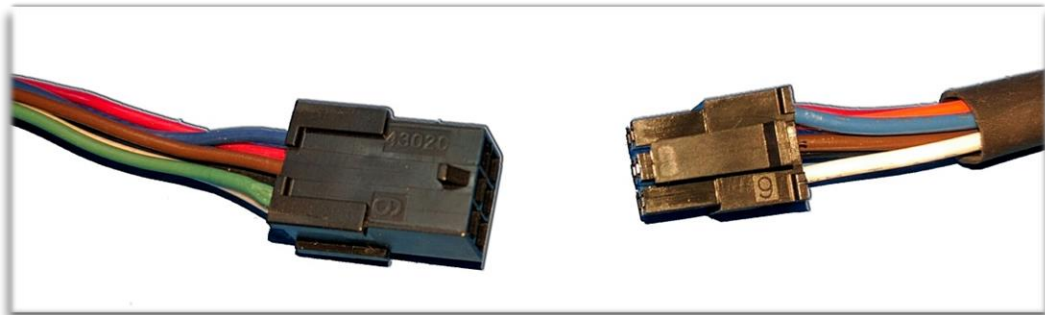
Player 4 is the Green player; it's on left side when you are facing the drawer.

- You can install any player box to any positions now as they all have UFO RGB buttons. The player reference is for the physical setup & configuration.*

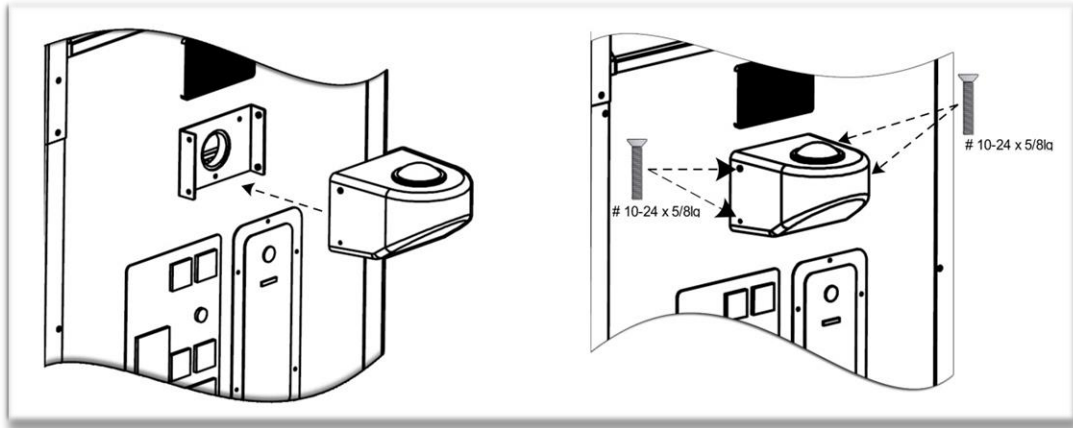
5. Locate the holes on the bracket that will hold in place the player boxes, two on each side.



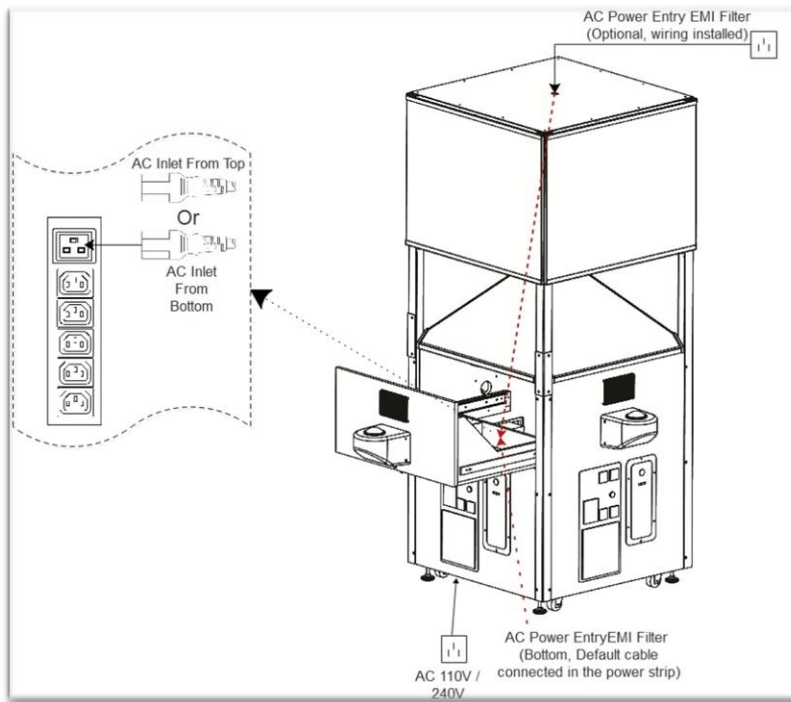
6. Before sliding the player box on the bracket, connect the cable from the cabinet to the cable inside the player box. It is a 6-Pins connector.



- When the cables are connected, gently slide the player box on the bracket until you see the holes alignment. Then, affix the 4 bolts 10-24 X 3/4lg and tighten them.



- Repeat the steps 4 to 6 for each player boxes.



- You can connect the AC cable from the wall to the unit by using one of the two available Power Entry EMI filter connectors.
The default AC Input cable connected to the main power strip is located under the cabinet.
The 2nd connector is on the top of the unit if you have a ceiling AC cable available. If you want to use the upper AC input, you will need to use the “AC From Top” cable in the drawer instead of the “AC From Bottom” cable.
Only 1 of them can be connected on the drawer power strip.

Chapter 05 – Operator Menu

Operator Menu

Access the Operator Menu by pressing the Operator button located inside the drawer on the I/O board directly.

Up/Down: Scroll Up/Down & Increase/ Decrease Value

Select Button: Select/Deselect



Operator Menu Version #			
Credits per game	4		
Game Audio Volume	20		
Attract Audio Volume	20		
Ticket Value	1		
Payment Type	Credits		
Redemption Mode	ON		
Redemption Unit Name	Tickets		
Ticket Feed	End Game		
Minimum Tickets	0		
Bonus Value	1000		
Average Game For Bonus	250		
Ticket Per Block	0.3		
Fixed Tickets	0		
Internet Connection	ON		
Station Reassignment	Update By USB	Configure WIFI	
Clear Credits	Game Stats	Resume Game	Quit Game

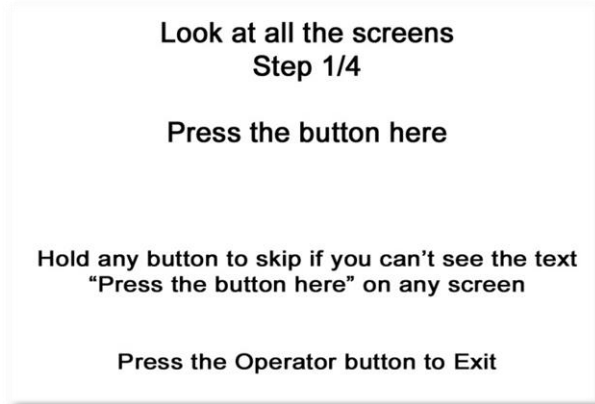
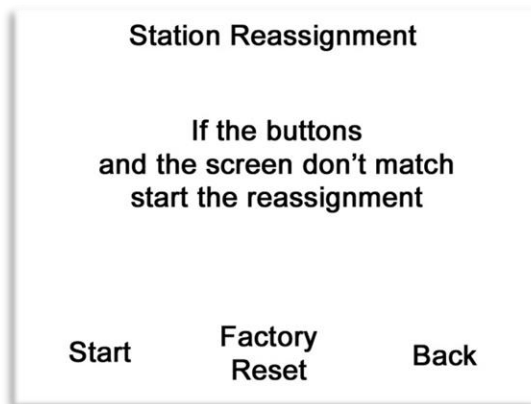
Operator Menu	Values	What it does
Credits Per Game	0 – 20	Adjusts the number of credits required to play. “0” sets the unit in free play mode.
Game Audio Volume	0 – 20	Adjusts the in-game audio volume. “0” will mute the game.
Attract Audio Volume	0 – 20	Adjusts the audio volume of the attract loop. “0” will mute the attract loop.
Ticket Value	1 – 2	Adjusts the value of physical tickets. Physical tickets are either worth “1” ticket or “2” tickets.
Payment Type	Credit / Card	Changes the credit type. “Credits” = Coins and “Card” = Card Reader. This will change the in-game text accordingly.
Redemption Mode	On / Off	Adjusts the Redemption availability.
Redemption Unit Name	Tickets/Coupons	Adjusts the in-game text accordingly.
Ticket Feed	Continuous / End Game	Adjusts the ticket distribution mode (Continuous: during the game; End Game: At the end of the game). <u>If you have a Card Reader please use END GAME.</u>
Minimum Tickets	0 – 20	Adjusts the minimum number of tickets per game.
Bonus Value	50 - 1000	Adjusts the number of tickets given when the Bonus is reached.
Average games for Bonus	10 - 1000	Sets how frequently the Bonus could be awarded.
Ticket Per Block	0.1 – 2.0	Adjusts the number of tickets given per floor added (Increment per 0.1).
Fixed Tickets	0 - 20	Adjusts the fixed number of tickets given per game.
Internet Connection	ON / OFF	Enable or Disabled the Internet Lookup Update. If you keep it enabled but do not connect the Internet to your unit you will have a 2m30s onscreen delay when the unit powers on.

Update By USB		Reboot the unit to update the game via a previously downloaded file copied on a USB flash drive.
Game Stats	N/A	Shows the Stats Screen.
Clear Credits	N/A	Resets the Inserted credits to 0 if more than 40 credits are entered.
Station Reassignment	N/A	To edit the button and player positions.
Quit Game	N/A	Exits the game and returns to the Windows desktop.
Resume Game	N/A	Exits the Operator Menu and returns to the game.

Station Reassignment

If the Coins and/or Speakers doesn't work for all 4 stations, you can do a *Factory Reset* to restore the 4 players positions.

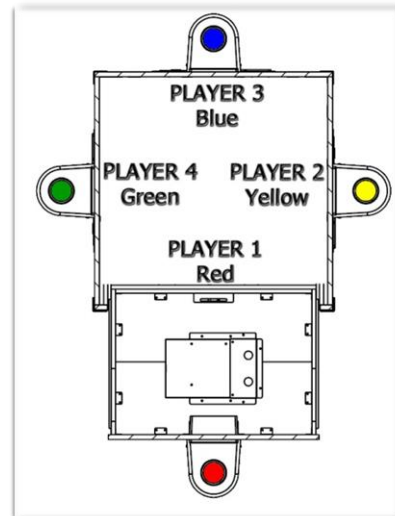
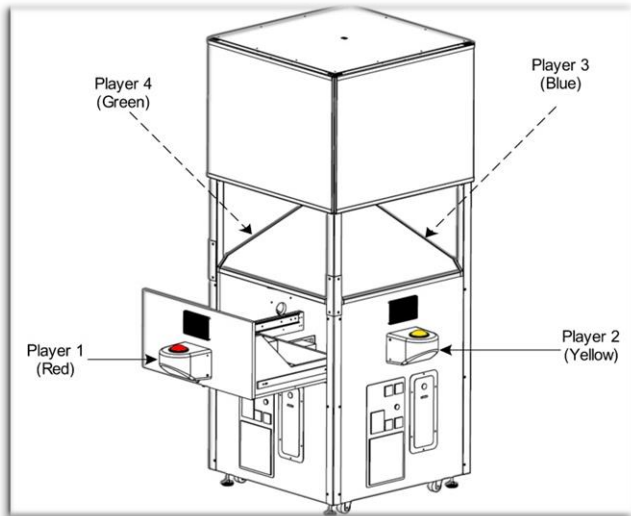
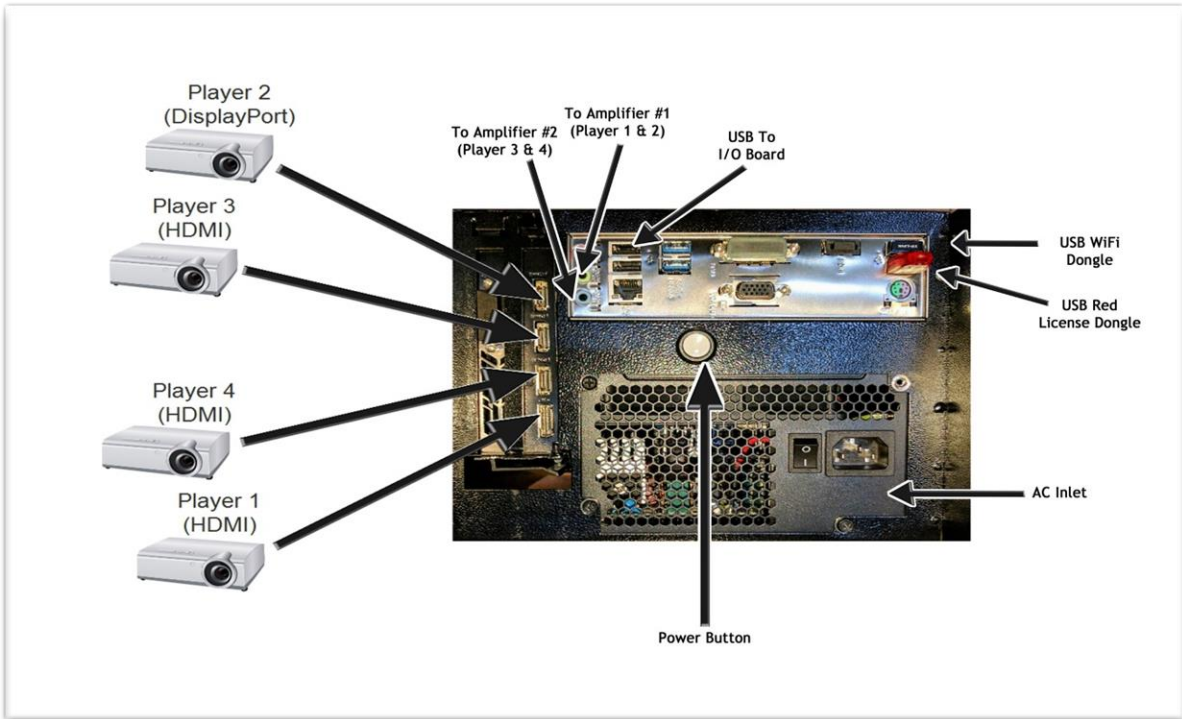
If you have a defective projector, during the time you are waiting the replacement, you can recalibrate the positions one by one by choosing Start and pressing each working station positions.



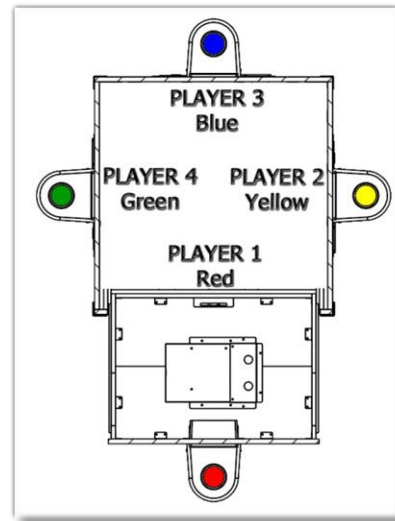
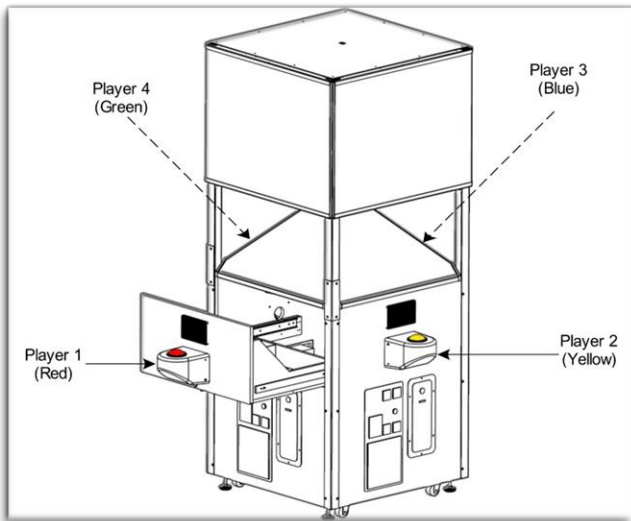
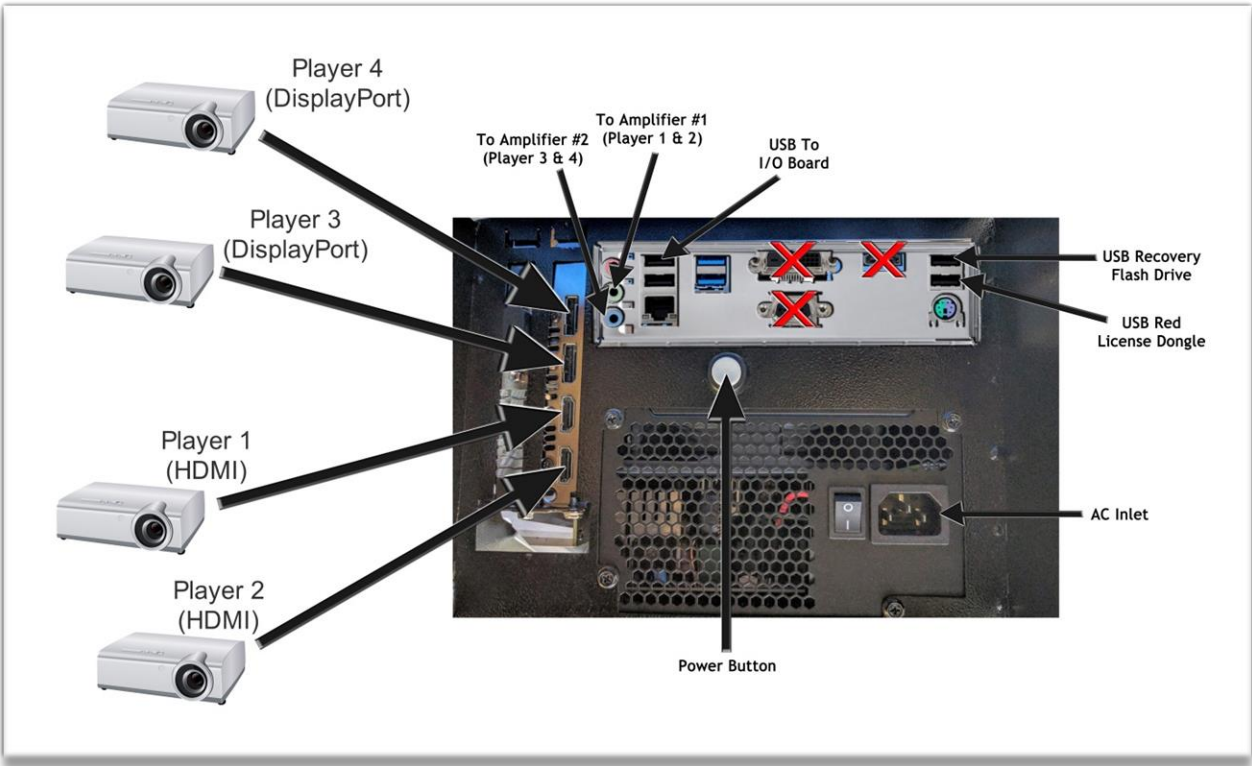
Chapter 06 - Service & Repair

Computer Connections

Version GTX 1050 video card



Version GTX 1060 video card



Troubleshooting

*** NOTE: When requesting a warranty replacement, you will be asked to give the unit's serial number from the back of the unit.**

Video Troubleshooting

No Picture or Display Problem

There could be loose or faulty connections between a projector and the computer. Make sure the video cable is connected properly to both the computer and to the projector.

Verify that the projector is powered on by looking on the glass that doesn't display the game. You should see "HDMI / MHL – Searching". If not, try to power on the projector by using the remote or by pressing the power button on the projector.



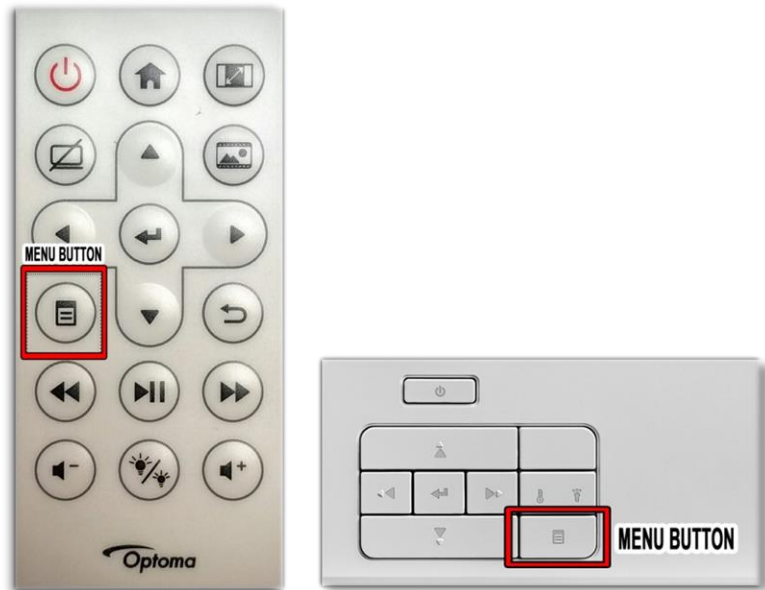
If the display in the glass seems to be offset or blurred, you can adjust the projector focus by turning the focus ring left or right. If you need to adjust the position, quit the game into Windows and refer yourself with the grey bar all around the desktop wallpaper and the vertical center one.

All 4 sides display “HDMI / MHL – Searching” - No power to computer.

- Verify that the computer is powered ON. Open the drawer; you should see the fans spinning.
- If not, press the WHITE Power Button on the computer.
- Make sure that the power plug is well connected and that the Power Supply switch is set to ON.

If a projector doesn't start automatically.

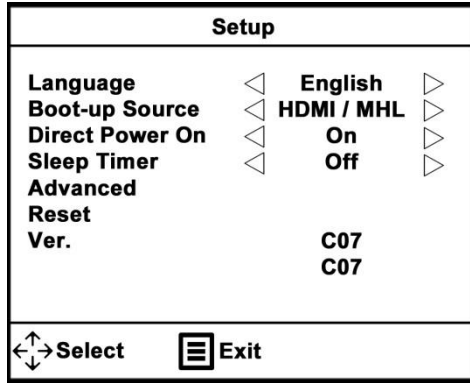
- Using the remote (Or directly on the projector) press the menu button.



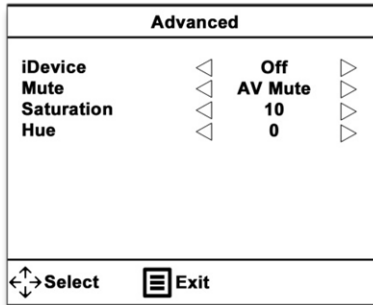
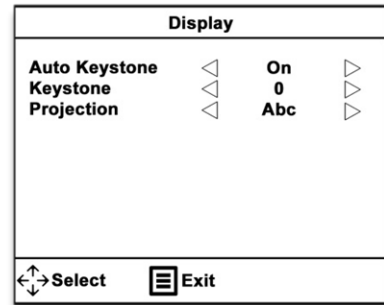
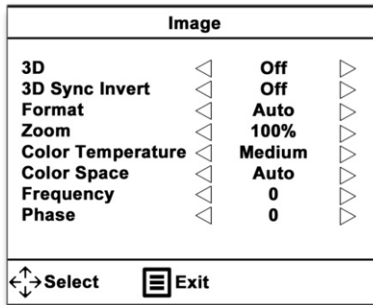
- Using the arrows go to **Setup** and press Enter.

Menu		
Input Source	< HDMI / MHL >	
Volume	< 0 >	
Display Mode	< PC >	
Brightness	< 5 >	
Contrast	< 5 >	
Image		
Display		
Setup		
↔ Select [Menu] Exit ↵ Enter		

- Verify that the settings are like those below




Below are the other Projector Settings Screens as references

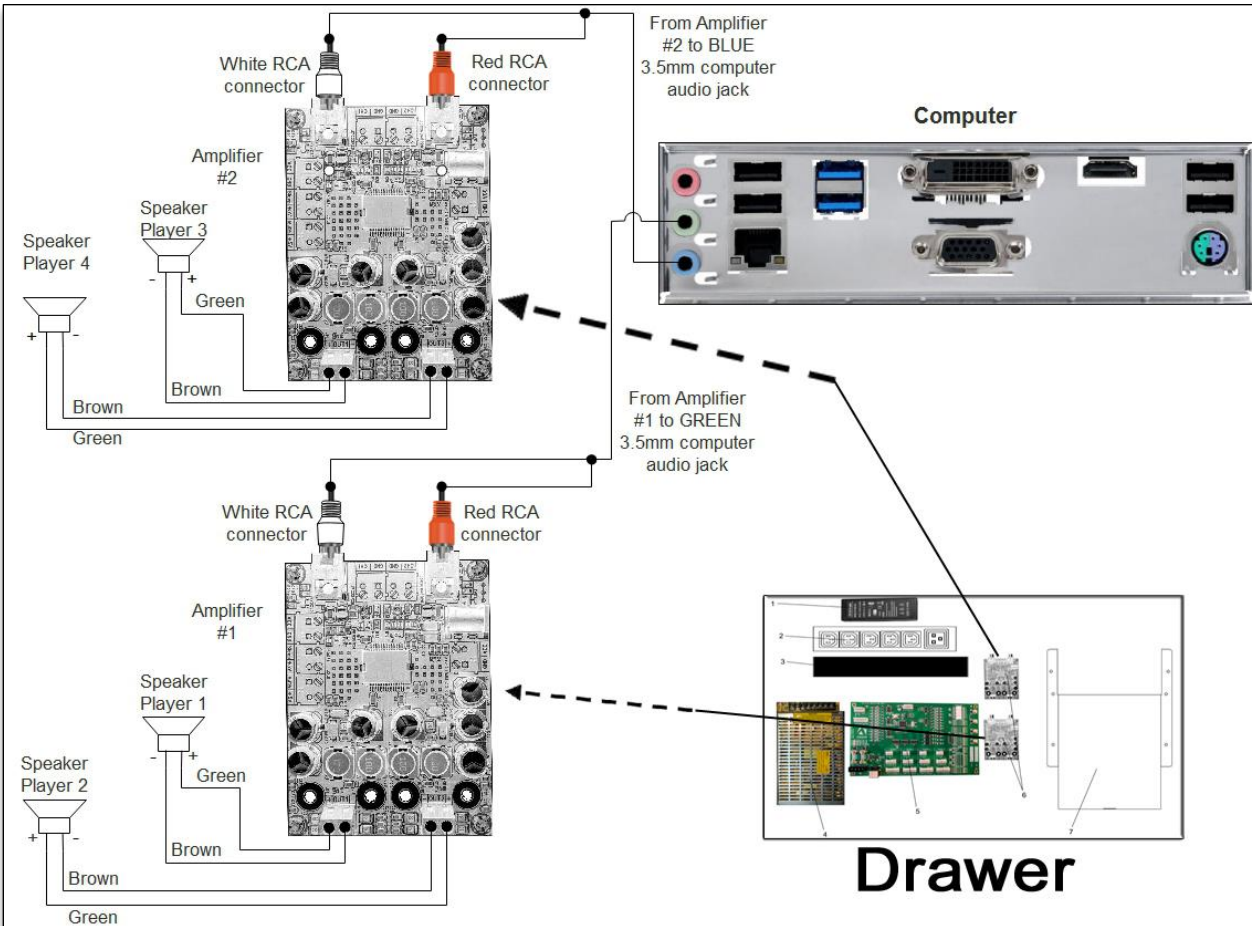


Audio Troubleshooting

Low Volume / No Sound

Increase the volume in the game by pressing the Operator Button and adjusting the volume options in the Operator Menu. You might also Quit the game to Windows desktop and increase the volume via the  Speaker icon on the bottom right of your screen.

Verify the wirings behind the speakers and in the amplifier. Verify that the 1/8" audio jack is plugged in the computer's sound input jack and that the other end RCA's are plugged in the sound amplifier. If a player doesn't have sound, refer to the wiring diagram below. Each amplifier controls 2 players. If the sound is not playing for the good player position, try to invert the Red & White RCA connectors on the amplifier.



Wireless Internet Configuration

Your network can be configured via Ethernet cable or Wireless.

If you have an Ethernet cable available to be plugged in, insert it into the motherboard LAN RJ45 connector.

If not, here is how to configure your wireless network with your own existing Wi-Fi network.

-Start the unit.

-There will be Adrenaline Amusements wallpaper with a 150 seconds delay before the attract mode shows up. It gives enough time for a wireless network to connect.

(This delay will be present on each reboot if you don't connect your unit to the Internet).*

-Open the coin door and press the Operator button.

-Choose Configure Wi-Fi.

-Connect a USB keyboard.

-In the list of networks, click the network you want to connect to and click connect.

-Enter your security key.

Having your unit connected to the Internet includes free software live update!

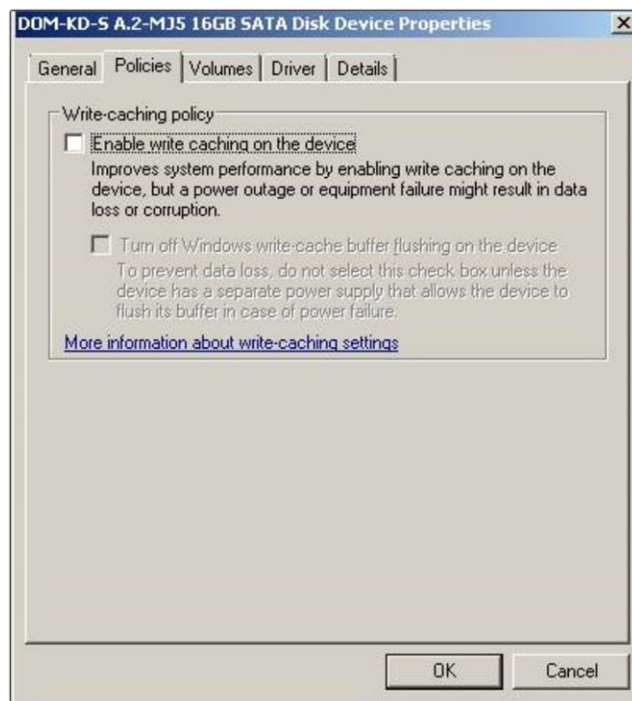
*If you do not connect your unit to the Internet, you can bypass the 150-seconds Internet lookup delay via the Operator Menu.

Operator Settings keeps resetting trouble

Operator Settings keeps resetting back to default values after powering off the breakers.

The Windows & SSD Device write cache needs to be disabled:

- Exit the game to Windows.
- Press on Start
- Right click on My Computer
- Choose Properties
- Click on Device Manager
- Expand Disk Drives
- Double click the 32GB Device (Not the USB drive if there is one)
- Go to Policies
- Remove the check in front of “Enable Write caching on the device” as seen below, press OK and then YES to reboot the computer. If it doesn’t ask to reboot the computer you need to do it by pressing Start, Restart.

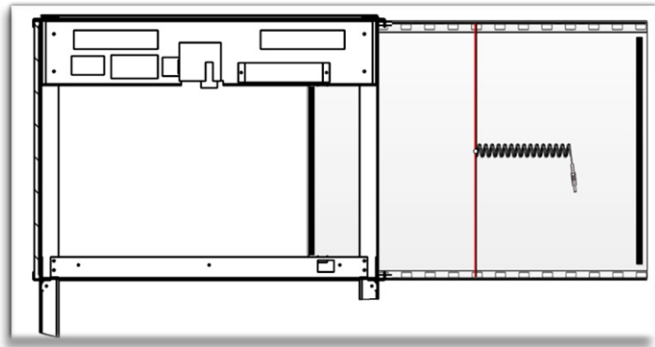
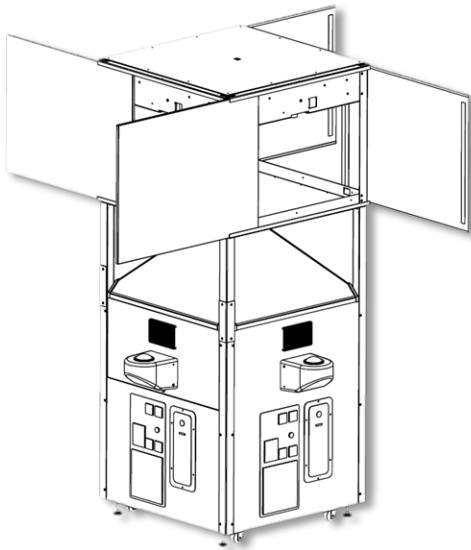


Headers & Projectors

If you need to access the projectors for adjustment or replacement, you will first need to unscrew the top screw to be able to slide the acrylic panel.

Vertical magnets are installed on each side of the back acrylic panel to assure the position.

Do not slide the panel completely as you will have a Power Connector to unplug before removing the panel from the cabinet.



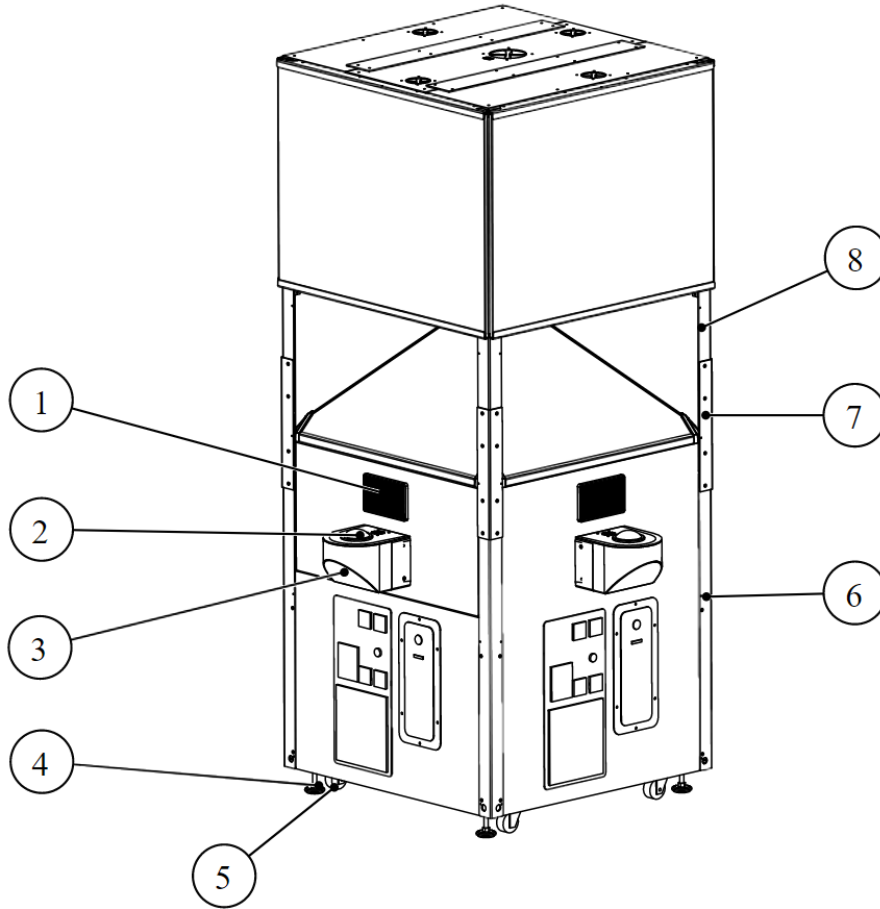
If you need to replace the Header LEDs, gently remove the black horizontal cover on both the top and bottom.

The LEDs can be removed by gently pulling them off the cover as they are installed by adhesive.

The new one can be installed by removing the adhesive cover under the new LEDs strip first.

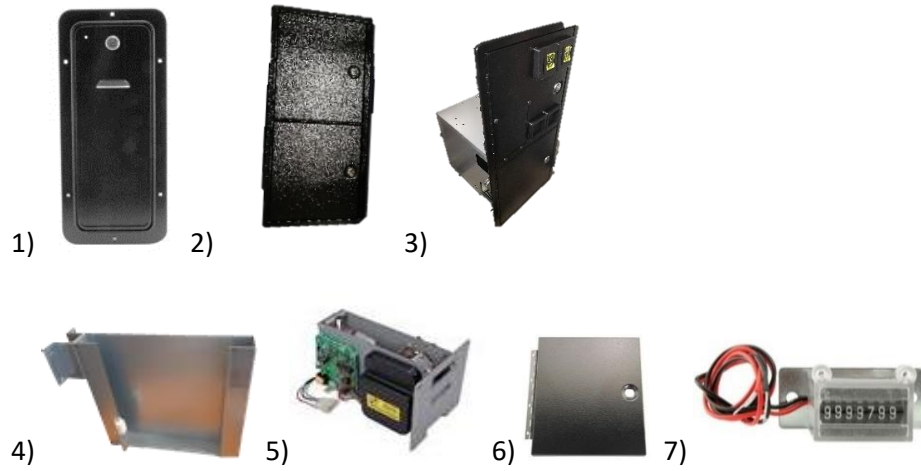
Chapter 07 - Parts

Cabinet Parts



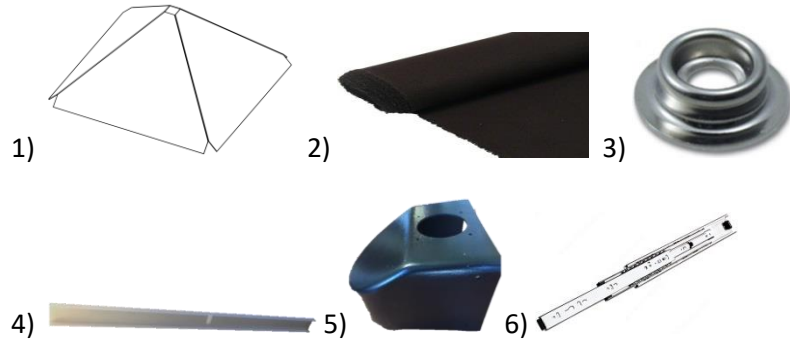
Ref	Part Description	Part #
1	Speakers 4"	ADR-50-9986-00
2	Round Jumbo UFO LED Button with Sticker	ADR-75-0029-00-KIT
	Sticker for Tap Button	FT-09-TAP
3	Complete Thermoformed Playable Platform Including Button, Fan and Harness	CZT-05-1001-KIT
4	Leg Leveler 1/2"-13 x 4" Thread, 2-3/8" Base Diameter	INV-62805K-39
5	General Duty Rubber Caster, 2-1/2"	INV-F25083
6	Bottom Vertical Frame Cover	CZT-01-1012
7	Center Vertical Frame Cover	CZT-01-1015
8	Top Vertical Frame Cover	CZT-01-1112

Cabinet Doors



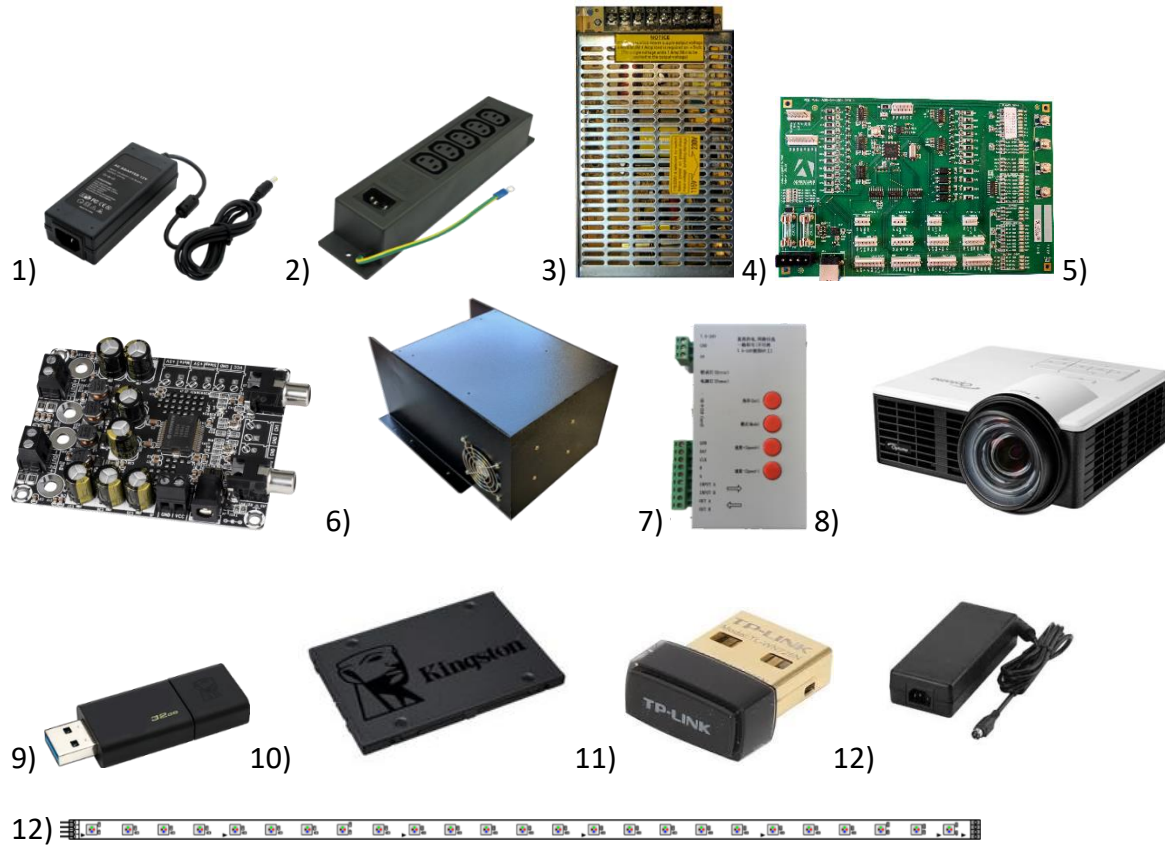
Ref	Part Description	Part #
1	Ticket Dispenser Door Including LEDs, Without Dispenser	ADR-40-0540-00KA
2	Door and Frame Assembly with Blank Upper and Bottom Door	ADR-40-0745-20KA
3	Door Assembly With 2 Upper Mech Holder, 1 Validator Cut Out, Blank Bottom Door	ADR-40-3000-06LKA
4	Ticket Bin with Level Sensor Switch	ADR-42-1015-00
5	Ticket Dispenser D-TYPE	ADR-TD-0001
6	Blank Door Black, No Lock	ADR-42-3607-90
7	Meter, 12V, 7 Digit with Bracket	ADR-42-08012-072

Pyramid & Misc. Parts



Ref	Part Description	Part Number
1	Pyramid Glasses, with oleophobic coating for 36"X36" Model Pyramid Glasses, with oleophobic coating for 48"X 48" Model	CZT-10-1001 MCZT-10-1001
2	Canvas for Projector with Velcro and Snaps, 36" x 36" Canvas for Projector with Velcro and Snaps, 48" x 48"	CZT-10-1002 MCZT-10-1002
3	Snaps for Canvas	CZT-05-1009
4	Acrylic Cover for Corner LED for 36"X36" Model Acrylic Cover for Corner LED for 48"X48" Model	CZT-05-1012 MCZT-05-1012
5	Thermoformed Playable Platform for Crazy Tower	CZT-05-1001
6	Full-Extension Slide, Series 4500, Coming in Pair	CZT-05-1010

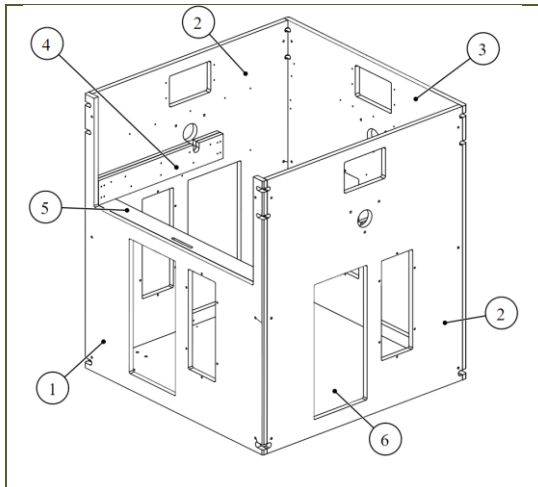
Computer & Electronics



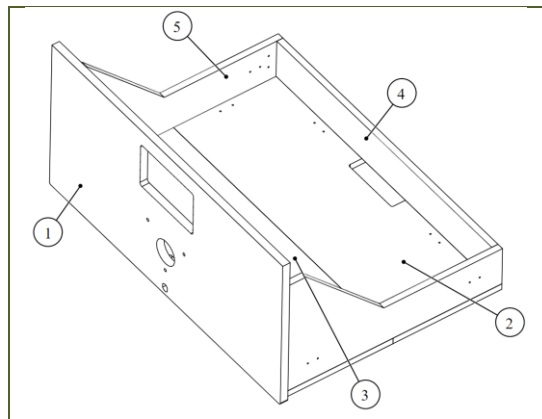
Ref	Part Description	Part Number
1	Switching Power Supply, 12 V, 5A, 2.1 x 5.5mm Plug	INV-14-0006
2	Power Bar 5 positions	INV-05-1242
3	Switching Power Supply, 130W, +5V/15A, +12V/4A, -5v/1A	ADR-80-0210-00
4	I/O Board, 4 Players, 4 Motor Control, Version 5.0 For Crazy Tower	ADR-04-1003-CZT
5	2x15 Watt Class D Audio Amplifier Board	INV-14-0005
6	PC Box for Crazy Tower with Fujitsu H310	ADR-11-1017-02-CZT
7	Program Led Controller with SD Card	INV-14-1023-01-PROG
8	Short Throw Pocket LED Projector	CZT-10-1003
9	Restore USB Key Crazy Tower for H110 Restore USB Key Crazy Tower for Fujitsu H310	ADR-11-2014-CZT-H110 ADR-11-2014-CZT-H310
10	Hard Drive for Crazy Tower for H110 Hard Drive for Crazy Tower for Fujitsu H310	INV-11-1027-CZT-H110 INV-11-1027-CZT-H310
11	USB Wi-Fi Adapter	INV-TL-WN725N
12	Power Supply 19V, Modified for Namco	INV-05-1244-01
13	PCB Assembly with LEDs WS2813 with 25 LEDs	INV-14-1028

Wood Parts

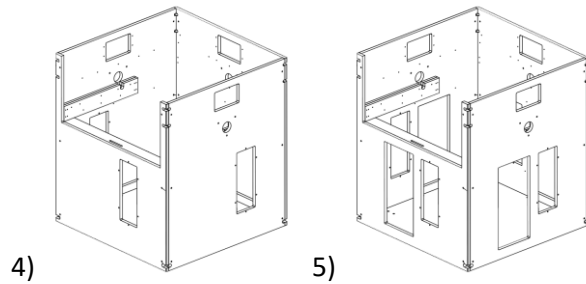
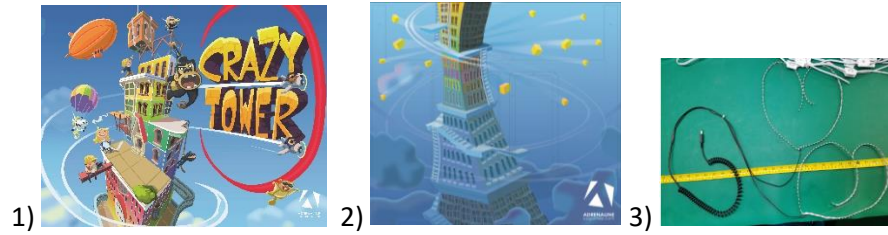
Cabinet

	Ref	Part Description	Part Number
	1	Melamine 5/8	CZT-02-1001-ITEM-01 MCZT-02-0001-ITEM-01
	2	Melamine 5/8	CZT-02-1001-ITEM-02 MCZT-02-0001-ITEM-02
	3	Melamine 5/8	CZT-02-1001-ITEM-03 MCZT-02-0001-ITEM-03
	4	Melamine 5/8	CZT-02-1001-ITEM-04 MCZT-02-0001-ITEM-04
	5	Melamine 5/8	CZT-02-1001-ITEM-05 MCZT-02-0001-ITEM-05
	6	Plywood 5/8	CZT-02-1001-ITEM-06 MCZT-02-0001-ITEM-06

Tray

	Ref	Part Description	Part Number
	1	Melamine 3/4	CZT-02-1002-ITEM-01 MCZT-02-1002-ITEM-01
	2	Melamine 5/8	CZT-02-1002-ITEM-02 MCZT-02-1002-ITEM-02
	3	Melamine 5/8	CZT-02-1002-ITEM-03 MCZT-02-1002-ITEM-03
	4	Melamine 5/8	CZT-02-1002-ITEM-04 MCZT-02-1002-ITEM-04
	5	Melamine 5/8	CZT-02-1002-ITEM-05 MCZT-02-1002-ITEM-05

Decal Prints & Header



Standard Version (36")

Ref	Part Description	Part Number
1	Top Header for Crazy Tower including LEDs cable and Tape	CZT-09-1001-KIT
2	Melamine Decal Kit, Crazy Tower	CZT-09-1002
3	LEDs for Top Header, Crazy Tower and Mega Crazy Tower	MCZT-14-1001

Mega Crazy Tower (48")

Ref	Part Description	Part Number
1	Top Header Mega Crazy Tower including LEDs cable	MCZT-09-1001-KIT
2	Melamine Decal Kit, Mega Crazy Tower	MCZT-09-1002
3	LEDs for Top Header, Crazy Tower and Mega Crazy Tower	MCZT-14-1001

Low height Version

Ref	Part Description	Part Number
1	Top Header for Crazy Tower including LEDs cable and Tape	CZT-09-1001-KIT
3	LEDs for Top Header, Crazy Tower and Mega Crazy Tower	MCZT-14-1001
4	Melamine Decal Panel (For Card Reader Version without Middle Hole)	CZT-09-1002-Mini-01
5	Melamine Decal Panel (For Coin Door Version with Middle Hole)	CZT-09-1002-Mini-02

Cabling

Standard (36”) and Low Height Versions

Part Description	Part Number
Splitter Cable Barrel connector 2.1mm Female to 4x 2.1mm Male	INV-CN-DCF-4M
HDMI Cable, 15'	INV-HDMI-140-15K
Power Cord IEC-C13 to IEC-C14, 18AWG, 2'	INV-PW-100-02
Power Cord IEC-C13 to IEC-C14, 18AWG, 12'	INV-PW-100-12
Power Cable, NEMA 5-15P to IEC C13 - 18AWG, 12'	INV-PW-105-12
Power Cord IEC-C14 to IEC-C7, 18AWG, 3'	INV-PW-117-03
Power Cable, IEC C14 to IEC C5, 3', 18AWG	INV-PW-118-03
Power Cable, IEC C14 to IEC C5, 6', 18AWG	INV-PW-118-06
Cable Power Splitter, C14 to 2x C13, 1'	INV-PW-200B-01
Cable USB 2.0 'AB', 2'	INV-USB-AB1-02BK

Mega Crazy Tower (48”)

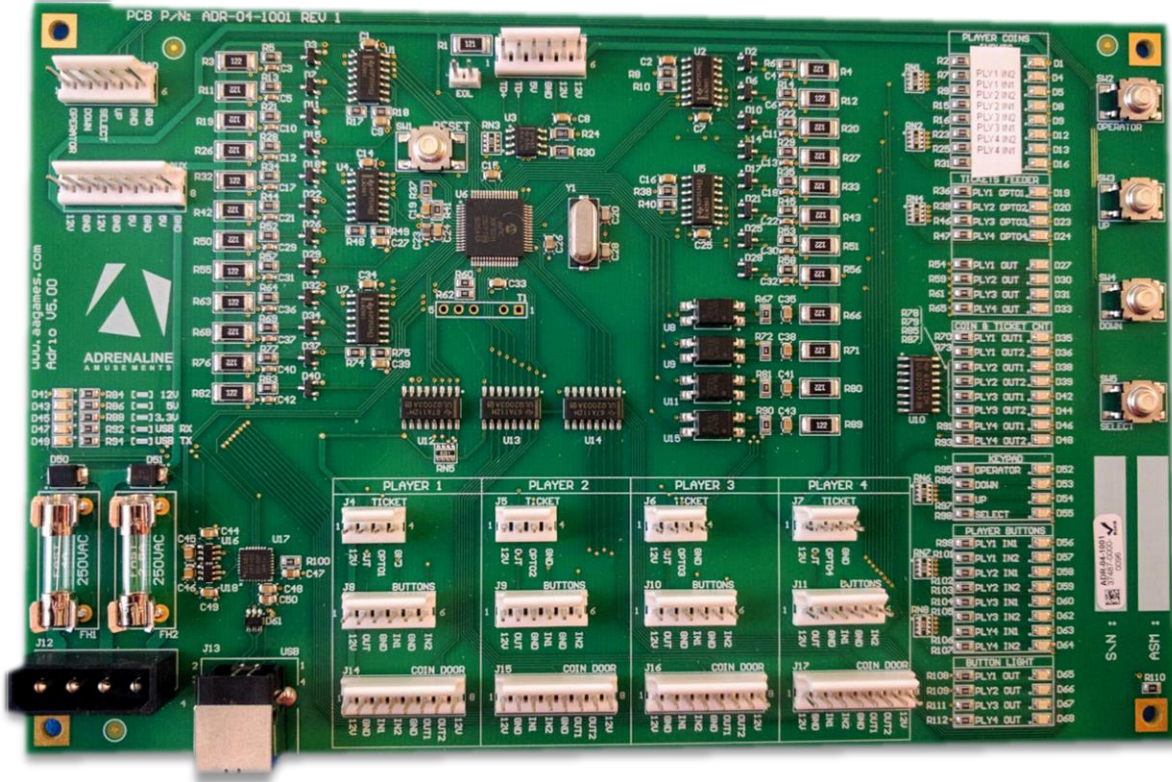
Part Description	Part Number
Splitter Cable Barrel connector 2.1mm Female to 4x 2.1mm Male	INV-CN-DCF-4M
HDMI Cable, 10'	INV-HDMI-140-10K
HDMI Cable, 12'	INV-HDMI-140-12K
HDMI Cable Male to Female with Ethernet, 28AWG, 6'	INV-HDMI-141-06
HDMI Cable Male to Female with Ethernet, 28AWG, 10'	INV-HDMI-141-10
Power Cord IEC-C13 to IEC-C14, 18AWG, 2'	INV-PW-100-02
Power Cord IEC-C13 to IEC-C14, 18AWG, 12'	INV-PW-100-12
Power Cable, NEMA 5-15P to IEC C13 - 18AWG, 12'	INV-PW-105-12
Power Cord IEC-C14 to IEC-C7, 18AWG, 3'	INV-PW-117-03
Power Cable, IEC C14 to IEC C5, 3', 18AWG	INV-PW-118-03
Power Cable, IEC C14 to IEC C5, 6', 18AWG	INV-PW-118-06
Cable Power Splitter, C14 to 2x C13, 1'	INV-PW-200B-01
Cable Usb 2.0 'AB', 2'	INV-USB-AB1-02BK

Wiring Harness

Part Description	Part Number
Harness for Power Supply 5-12	CZT-03-0001
Harness for Power Supply to IO Board	CZT-03-0002
Harness for Button Player 1 To 4	CZT-03-0003
Harness For I/O Board to Player 1 only	CZT-03-0004
Harness for IO Board to Player 2-3-4, Ticket Dispenser and Coin Door (A/B/C)	CZT-03-0005
Harness For I/O Board to Player 1, Ticket Dispenser and Coin Door (A/B)	CZT-03-0006
Harness for Top Header LEDs	CZT-03-0009
Harness for Top Fan 80mm and 120mm	CZT-03-0013

Chapter 08 – Diagrams & Schematics

I/O board ADR-04-1001 Rev. 1



<u>J1</u> No Use	<u>J2</u> Keypad 1. (Blue) Enter 2. (Green) Down 3. (Red) Select 4. (White) Up 5. (Black) GND 6. No Use	<u>J3</u> No Use	<u>J4</u> Player 1 Ticket 1. (Red) +12V 2. (White) OUT 3. (Green) OPTO1 4. (Black) GND
<u>J5</u> Player 2 Ticket 1. (Red) +12V 2. (White) OUT 3. (Green) OPTO2 4. (Black) GND	<u>J6</u> Player 3 Ticket 1. (Red) +12V 2. (White) OUT 3. (Green) OPTO3 4. (Black) GND	<u>J7</u> Player 4 Ticket 1. (Red) +12V 2. (White) OUT 3. (Green) OPTO4 4. (Black) GND	<u>J8</u> Player 1 Buttons 1. (Red) +12V 2. (Blue) OUT 3. (Black) GND 4. (White) IN1 5. No Use 6. No Use

<u>J9</u>	<u>J10</u>	<u>J11</u>	<u>J12</u>
<u>Player 2 Buttons</u> 1. (Red) +12V 2. (Blue) OUT 3. (Black) GND 4. (White) IN1 5. No Use 6. No Use	<u>Player 3 Buttons</u> 1. (Red) +12V 2. (Blue) OUT 3. (Black) GND 4. (White) IN1 5. No Use 6. No Use	<u>Player 4 Buttons</u> 1. (Red) +12V 2. (Blue) OUT 3. (Black) GND 4. (White) IN1 5. No Use 6. No Use	<u>5V/12V Input DC</u>
<u>J13</u>	<u>J14</u>	<u>J15</u>	<u>J16</u>
<u>USB To Computer</u>	<u>Coin Door Player-1</u> 1. (White) +12V 2. (Black) GND 3. (Red) IN1 4. (Yellow) IN2 5. (Blue) GND 6. (Brown) OUT1 7. (Orange) OUT2 8. (Green) +12V	<u>Coin Door Player-2</u> 1. (White) +12V 2. (Black) GND 3. (Red) IN1 4. (Yellow) IN2 5. (Blue) GND 6. (Brown) OUT1 7. (Orange) OUT2 8. (Green) +12V	<u>Coin Door Player-3</u> 1. (White) +12V 2. (Black) GND 3. (Red) IN1 4. (Yellow) IN2 5. (Blue) GND 6. (Brown) OUT1 7. (Orange) OUT2 8. (Green) +12V
<u>J17</u>			
<u>Coin Door Player-4</u> 1. (White) +12V 2. (Black) GND 3. (Red) IN1 4. (Yellow) IN2 5. (Blue) GND 6. (Brown) OUT1 7. (Orange) OUT2 8. (Green) +12V			

Former I/O Board: ADR-04-1001

Version 1 Wiring Colors

<u>J1</u>	<u>J2</u>	<u>J3</u>	<u>J4</u>
<u>No Use</u>	<u>Keypad</u> 1. (Blue) Enter 2. (Green) Down 3. (Red) Select 4. (White) Up 5. (Black) GND 6. No Use	<u>No Use</u>	<u>Player 1 Ticket</u> 1. (Red) +12V 2. (White) OUT 3. (Green) OPTO1 4. (Black) GND
<u>J5</u>	<u>J6</u>	<u>J7</u>	<u>J8</u>
<u>Player 2 Ticket</u> 1. (Red) +12V 2. (White) OUT 3. (Green) OPTO2 4. (Black) GND	<u>Player 3 Ticket</u> 1. (Red) +12V 2. (White) OUT 3. (Green) OPTO3 4. (Black) GND	<u>Player 4 Ticket</u> 1. (Red) +12V 2. (White) OUT 3. (Green) OPTO4 4. (Black) GND	<u>Player 1 Buttons</u> 1. (Red) +12V 2. (Blue) OUT 3. (Black) GND 4. (White) IN1 5. No Use 6. No Use
<u>J9</u>	<u>J10</u>	<u>J11</u>	<u>J12</u>
<u>Player 2 Buttons</u> 1. (Red) +12V 2. (Blue) OUT 3. (Black) GND 4. (White) IN1 5. No Use 6. No Use	<u>Player 3 Buttons</u> 1. (Red) +12V 2. (Blue) OUT 3. (Black) GND 4. (White) IN1 5. No Use 6. No Use	<u>Player 4 Buttons</u> 1. (Red) +12V 2. (Blue) OUT 3. (Black) GND 4. (White) IN1 5. No Use 6. No Use	<u>5V/12V Input DC</u>

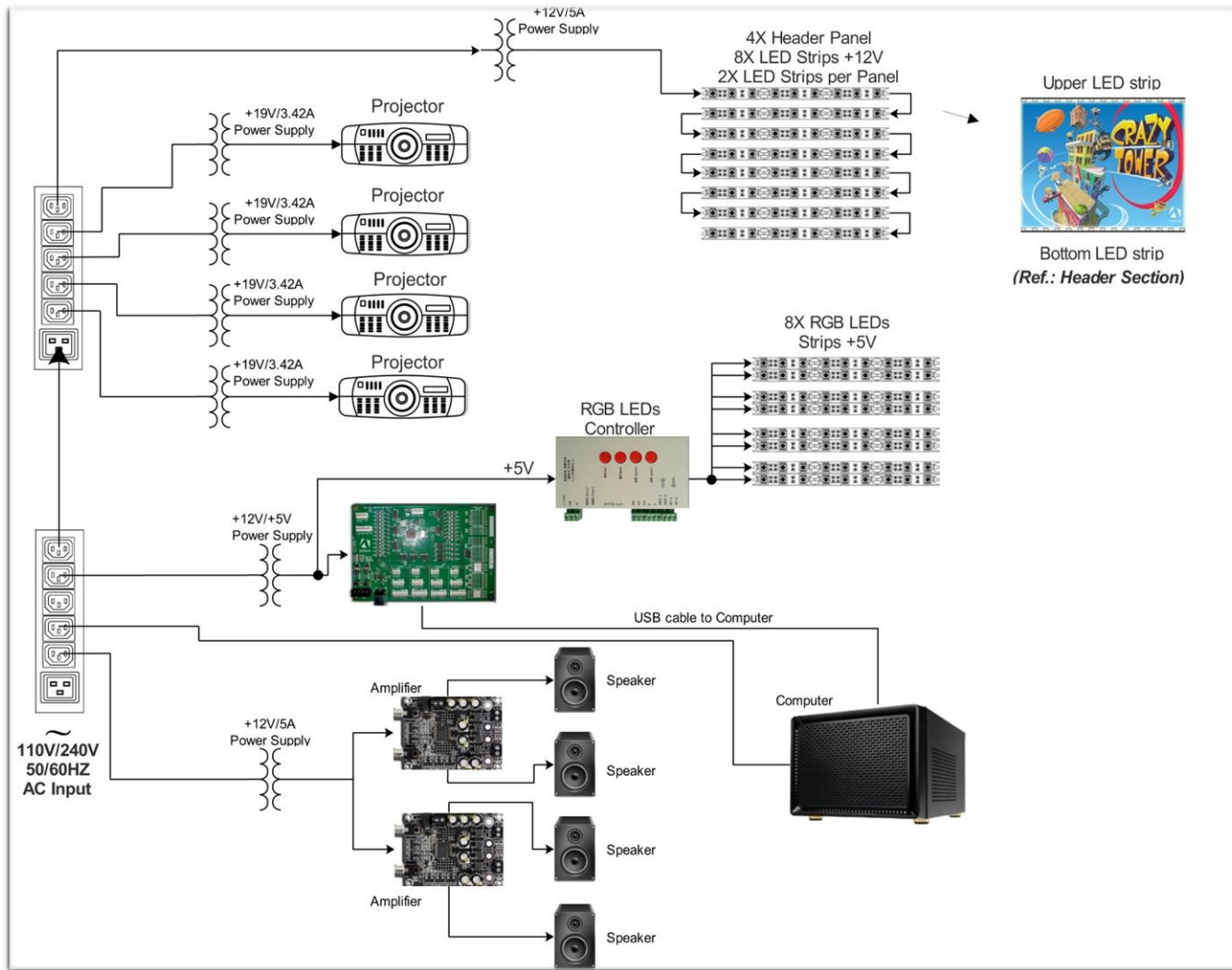
J13	J14	J15	J16
<u>USB To Computer</u>	<u>Coin Door Player-1</u> 1. (White) +12V 2. (Black) GND 3. (Red) IN1 4. (Yellow) IN2 5. (Blue) GND 6. (Brown) OUT1 7. (Orange) OUT2 8. (Green) +12V	<u>Coin Door Player-2</u> 1. (White) +12V 2. (Black) GND 3. (Red) IN1 4. (Yellow) IN2 5. (Blue) GND 6. (Brown) OUT1 7. (Orange) OUT2 8. (Green) +12V	<u>Coin Door Player-3</u> 1. (White) +12V 2. (Black) GND 3. (Red) IN1 4. (Yellow) IN2 5. (Blue) GND 6. (Brown) OUT1 7. (Orange) OUT2 8. (Green) +12V
J17			
<u>Coin Door Player-4</u> 1. (White) +12V 2. (Black) GND 3. (Red) IN1 4. (Yellow) IN2 5. (Blue) GND 6. (Brown) OUT1 7. (Orange) OUT2 8. (Green) +12V			

Version 2 Wiring Colors

<u>J1</u> <u>No Use</u>	<u>J2</u> <u>Keypad</u> 1. (Blue) Enter 2. (Green) Down 3. (Red) Select 4. (White) Up 5. (Black) GND 6. No Use	<u>J3</u> <u>No Use</u>	<u>J4</u> <u>Player 1 Ticket</u> 1. (Red/White) +12V 2. (White/Black) OUT 3. (Green/White) OPTO1 4. (Black/White) GND
<u>J5</u> <u>Player 2 Ticket</u> 1. (Red/White) +12V 2. (White/Black) OUT 3. (Green/White) OPTO1 4. (Black/White) GND	<u>J6</u> <u>Player 3 Ticket</u> 1. (Red/White) +12V 2. (White/Black) OUT 3. (Green/White) OPTO1 4. (Black/White) GND	<u>J7</u> <u>Player 4 Ticket</u> 1. (Red/White) +12V 2. (White/Black) OUT 3. (Green/White) OPTO1 4. (Black/White) GND	<u>J8</u> <u>Player 1 Buttons</u> 1. (Red/Black) +12V 2. (Blue/Black) OUT 3. (Black/Red) GND 4. (White/Red) IN1 5. No Use 6. No Use
<u>J9</u> <u>Player 2 Buttons</u> 1. (Red/Black) +12V 2. (Blue/Black) OUT 3. (Black/Red) GND 4. (White/Red) IN1 5. No Use 6. No Use	<u>J10</u> <u>Player 3 Buttons</u> 1. (Red/Black) +12V 2. (Blue/Black) OUT 3. (Black/Red) GND 4. (White/Red) IN1 5. No Use 6. No Use	<u>J11</u> <u>Player 4 Buttons</u> 1. (Red/Black) +12V 2. (Blue/Black) OUT 3. (Black/Red) GND 4. (White/Red) IN1 5. No Use 6. No Use	<u>J12</u> <u>5V/12V Input DC</u>
<u>J13</u> <u>USB To Computer</u>	<u>J14</u> <u>Coin Door Player-1</u> 1. (White) +12V 2. (Black) GND 3. (Red) IN1 4. (Orange/Red) IN2 5. (Blue) GND 6. (Red/Green) OUT1 7. (Orange) OUT2 8. (Green) +12V	<u>J15</u> <u>Coin Door Player-2</u> 1. (White) +12V 2. (Black) GND 3. (Red) IN1 4. (Orange/Red) IN2 5. (Blue) GND 6. (Red/Green) OUT1 7. (Orange) OUT2 8. (Green) +12V	<u>J16</u> <u>Coin Door Player-3</u> 1. (White) +12V 2. (Black) GND 3. (Red) IN1 4. (Orange/Red) IN2 5. (Blue) GND 6. (Red/Green) OUT1 7. (Orange) OUT2 8. (Green) +12V

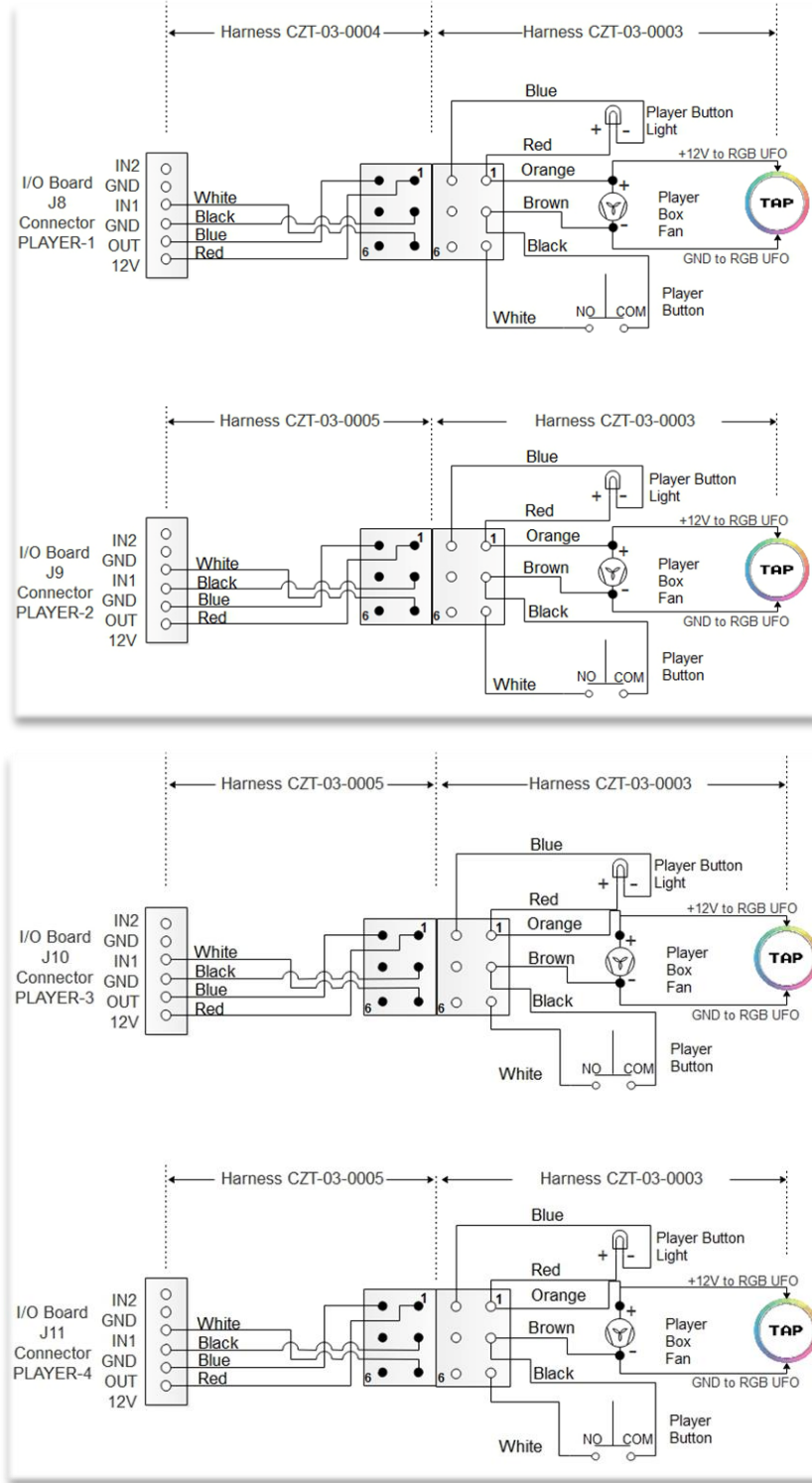
<u>J17</u>			
<u>Coin Door Player-4</u> 1. (White) +12V 2. (Black) GND 3. (Red) IN1 4. (Orange/Red) IN2 5. (Blue) GND 6. (Red/Green) OUT1 7. (Orange) OUT2 8. (Green) +12V			

Power Distribution Schematics

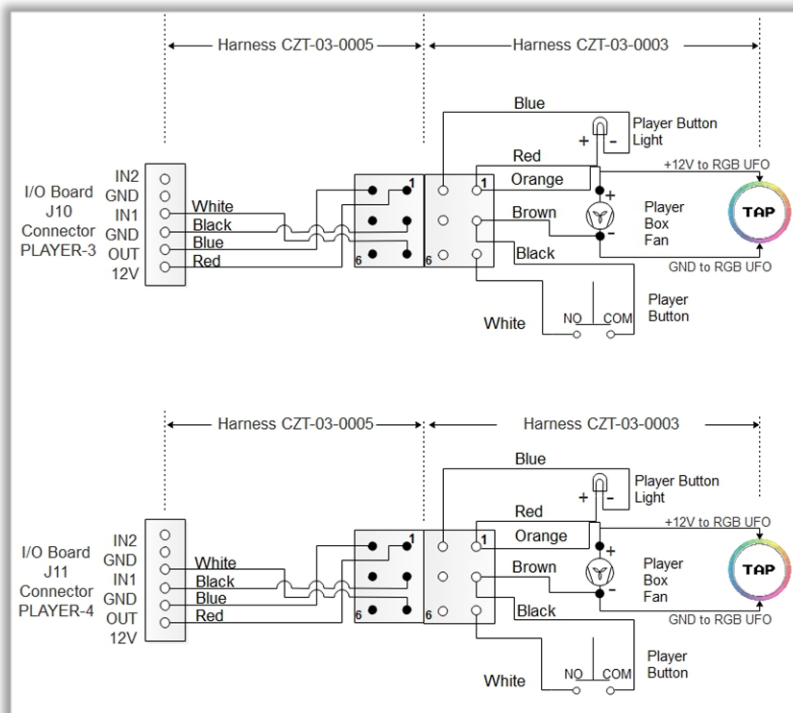
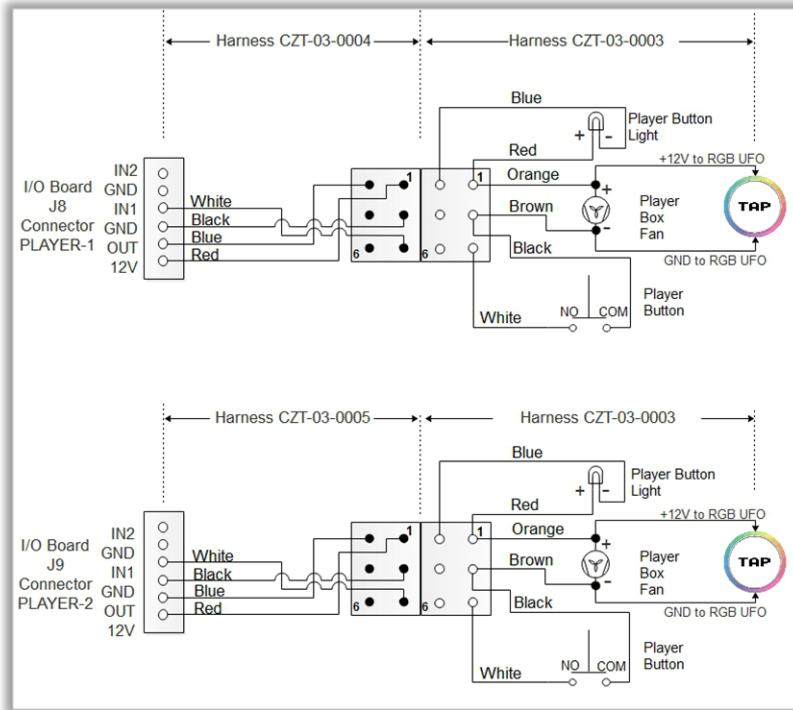


Players Wiring

Current version

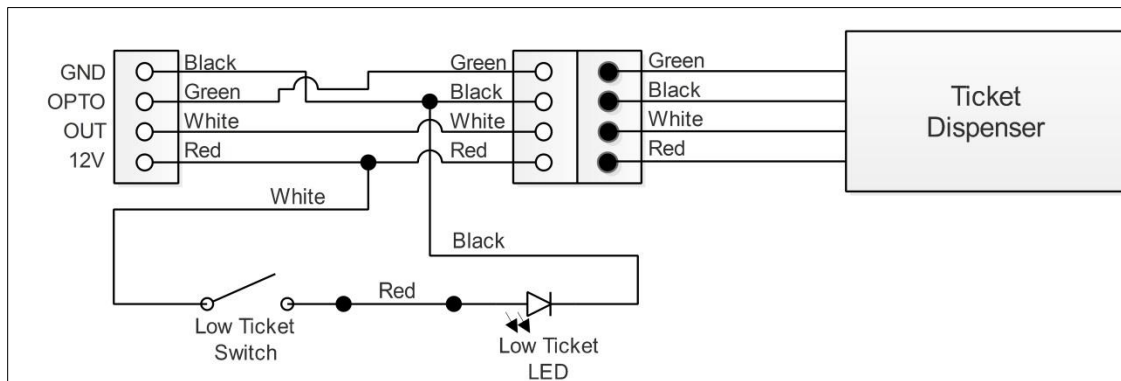
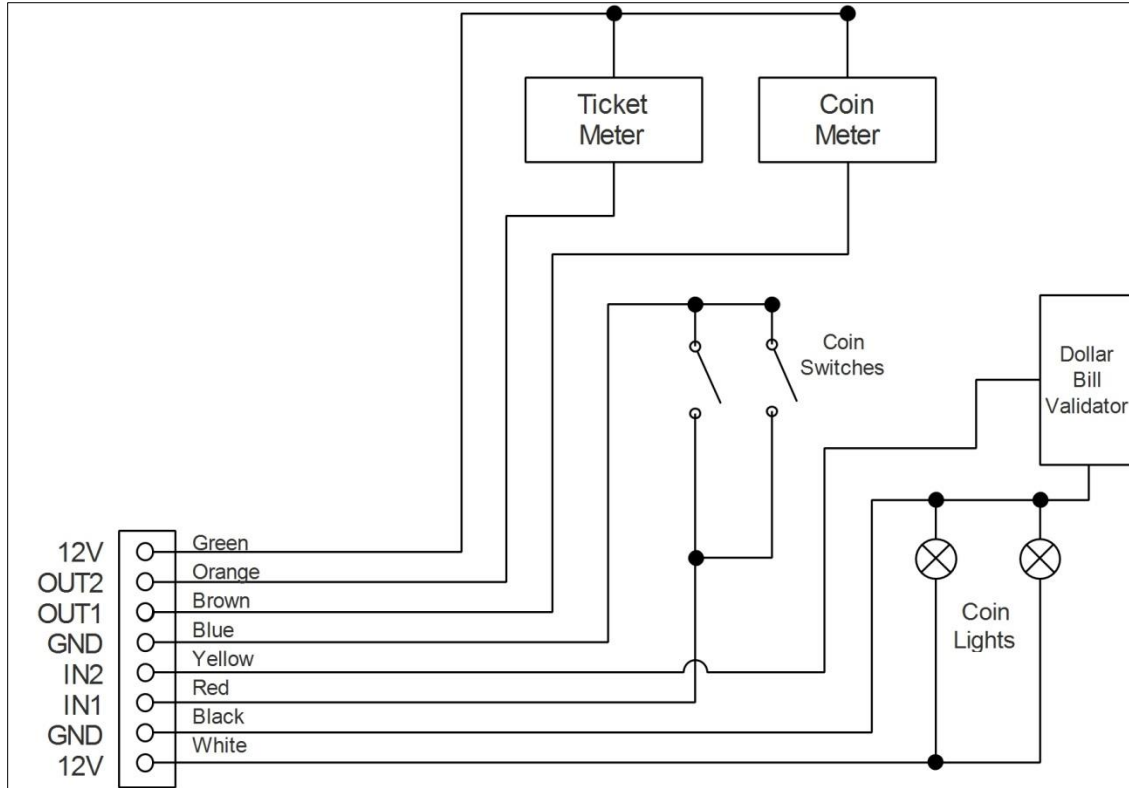


Players Wiring Version 1 (Discontinued)

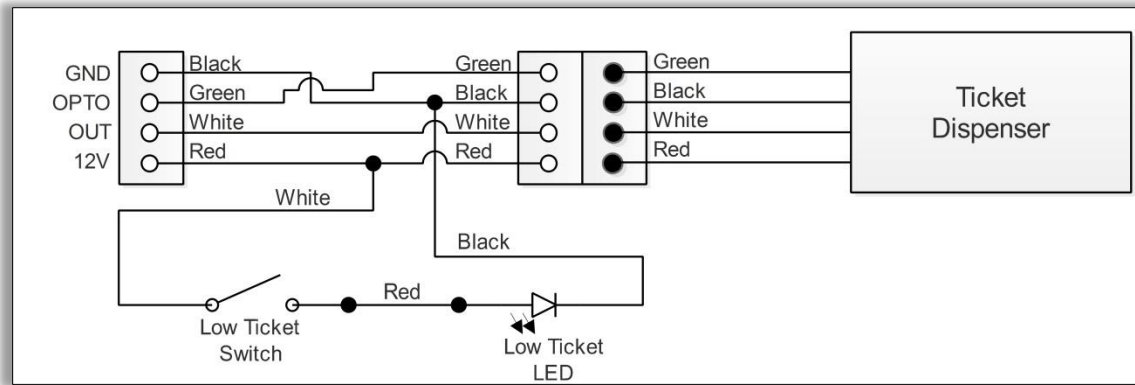
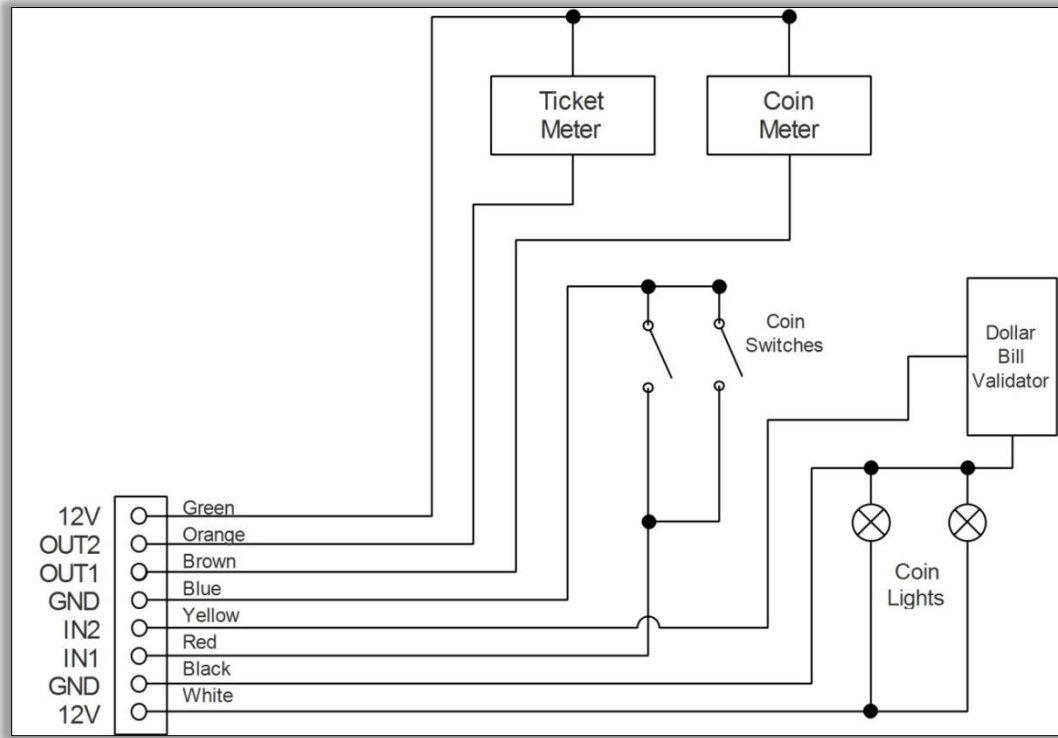


Coins & Ticket Wiring

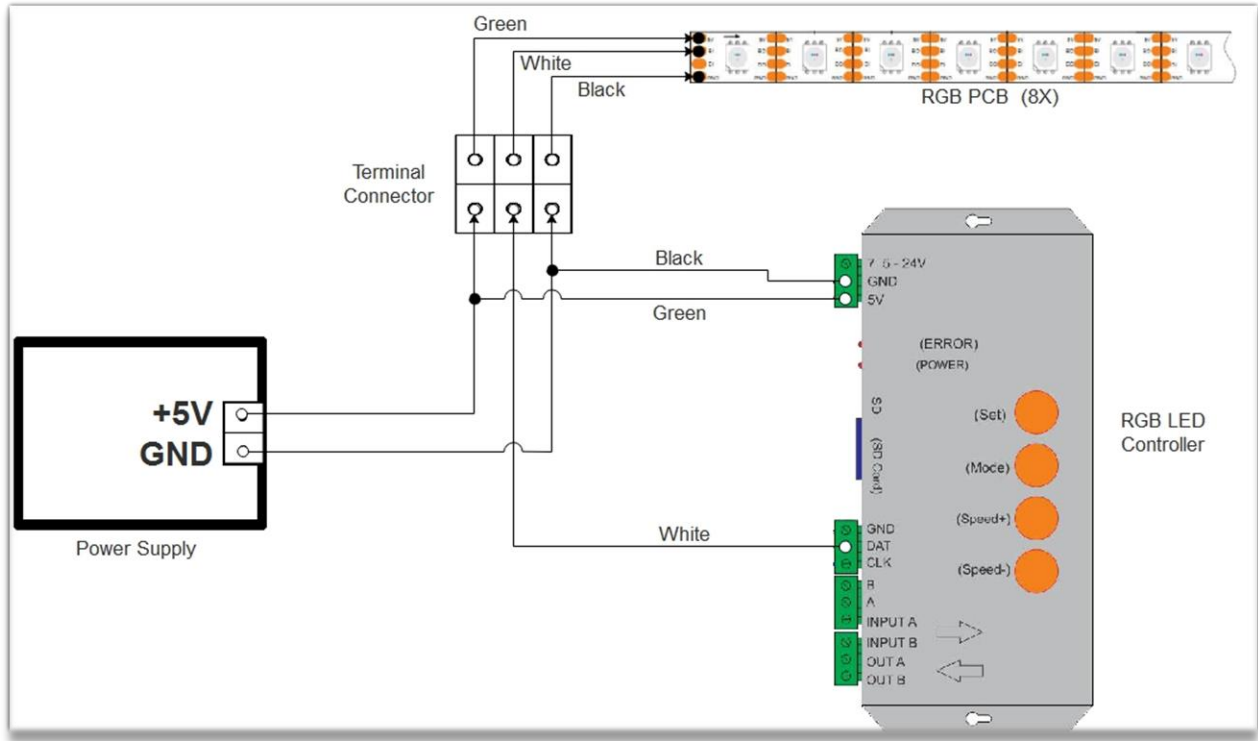
The wiring is the same for each player. The difference is that Player-1 (Drawer) uses harness CZT-03-0006 while Players-2-3-4 uses harness CZT-03-0005.



Coins & Ticket Wiring Version 1 (Discontinued)



RGB LED Wiring



Chapter 09 – Software Recovery

If your unit software needs to be restored please follow those instructions.

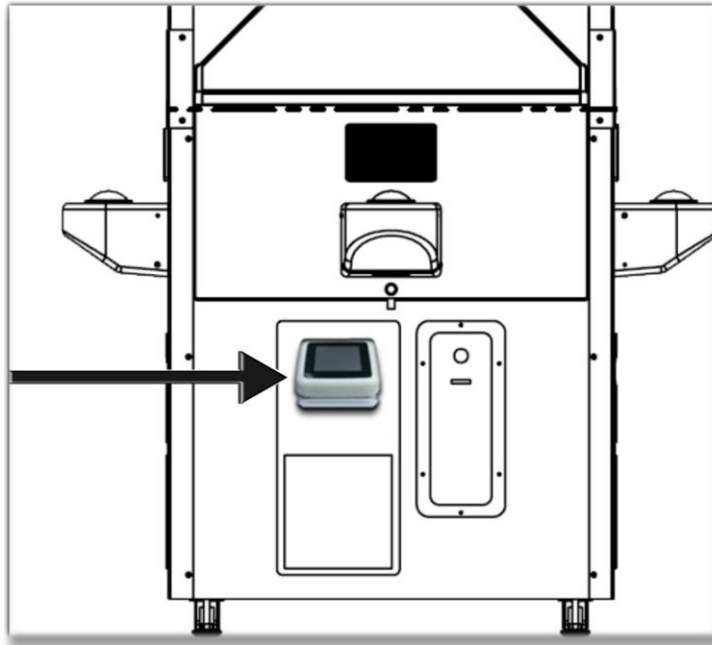
- Connect a USB keyboard to the motherboard.
- Connect the provided USB Recovery flash disk is in a ***Black*** USB port.
- Power on the unit and press F8 on the keyboard to display the boot menu.
- Choose the *UEFI: USB device ~16GB*

The process takes 25-30minutes and the unit will reboot back in the game at the end. The Wireless credentials will need to be re-entered and Operator settings will be back at the default ones.

Chapter 10 – Card Reader


If you use a card reader system, it is important to follow those instructions.

You need to install 4 card readers, one for each player. You need to buy the optional Black Door to install. Configure your Operator settings as seen on page 13-14.

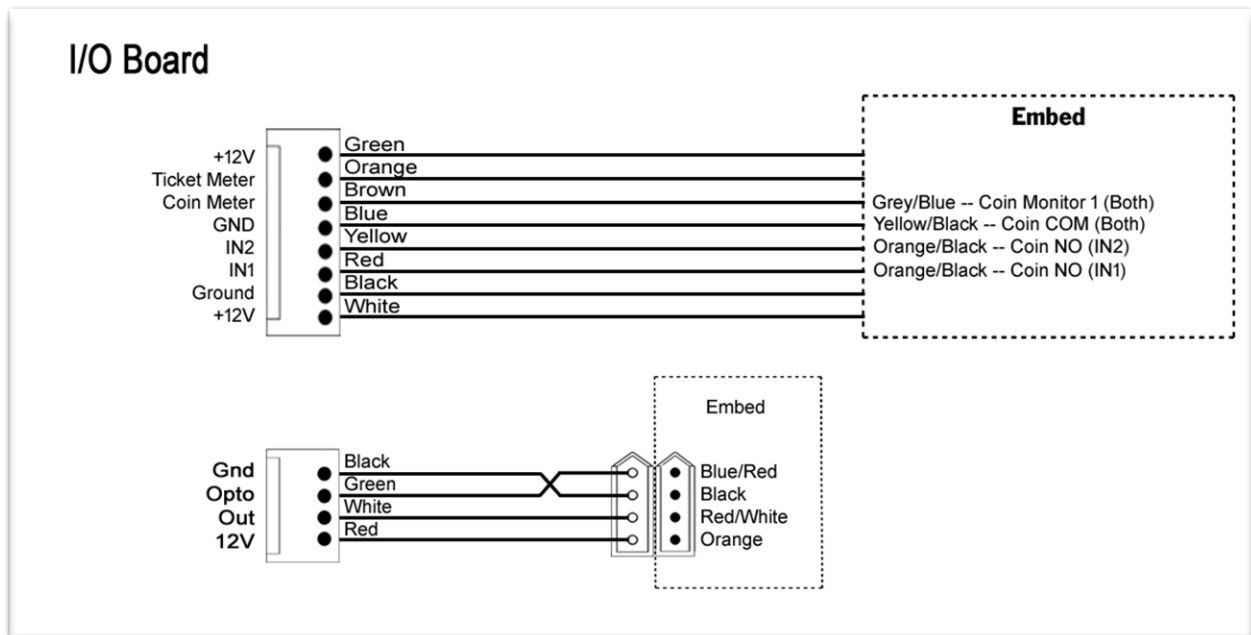


Embed System

If you are using an Embed system, you need to connect your harnesses to Adrenaline Amusements I/O board & harnesses. You should refer to the Embed instructions manual for wiring pin-out but here's Embed V5 example:



Pin	Wire Color	Signal	I/O	Pin	Wire Color	Signal	I/O
1	Orange	12 VDC	I	2	Orange	12 VDC	I
3	Black	Ground	O	4	Black	Ground	O
5				6			
7	Orange/Black	Coin NO	O	8	Yellow/Black	Coin COM	O
9	Grey/Blue	Coin Monitor 1	I	10	Grey/Black	Coin Monitor 2	I
11	Blue/Red	Game Notch 1	O	12			
13	Blue	Ticket Notch 1	I	14			
15	White	Ticket Drive 1	O	16			
17	White/Red	Game Drive 1	I	18			



The Embed settings are Standard except:

-Ticket Mech Type: Dumb DC

-Drive Polarity: Positive

-Notch Polarity: Negative

-Game ticket notch width = 10

-Game ticket notch spacing = 15

-Game Drive Threshold = 1.5V

-Notch Pulse = 60ms

-Ticket Space = 240ms

-Drive Debounce = 40ms



Limited Warranty Policies

Customers must provide the unit serial number when claiming any warranty request.

Adrenaline Amusements (AAGames) warrants this Arcade unit (Including accessories) against defects in material or workmanship as follows:

This unit has 1 year warranty against defective hardware from date of delivery.

Other than abuse or improper servicing, Adrenaline Amusements covers at no charge the replacement parts including standard shipping.

Customers have 30 days from delivery date to return back the defective equipment at their fees or they will be billed automatically.

Improper servicing or abuse will VOID existing warranties.

All warranty request needs to be validate with our technical support department.

After the 1 year warranty, Adrenaline Amusements offers repairs & sales services options. Please contact the technical support department for information.

Adrenaline Amusements
2273 Antonio-Hérroux street
Terrebonne, QC
J6X 4R3 Canada
+1.450.824.1671

